



INSTALLATION INSTRUCTIONS

Amarr Residential Steel Garage Doors

Lincoln LI1000 - LI2000 - LI3138 - LI3000 / Hillcrest HI1000 - HI2000 - HI3138 - HI3000 /
Classica CL1000 - CL2000 - CL3000 / Heritage HR1000 - HR2000 - HR3000 /
Olympus OL3138 - OL3200 / Designer's Choice DC3138 - DC3200 / Carriage Court CC4000
Supplemental Installation Instructions Included.

For Professional Dealer Installation

Amarr Company
165 Carriage Court
Winston Salem, NC 27105

www.amarr.com
877-512-6277

To download instructions:
www.amarr.com

IMPORTANT Wind Load Notice

- Contact your local building official for specific Wind Load requirements in your area.
- Doors must be designed with Wind Load requirements in mind.
- The forces a garage door system transmits to the building structure openings, such as jambs, spring anchor pads, headers, and track must be considered.

DANGER

High spring tension can cause serious injury or death. Do not attempt to remove, repair, or adjust any springs, any RED colored fasteners, or the hardware to which the RED colored fasteners are attached. Removal, adjustment, or repair must be made by a trained garage door technician.

NOTICE

Failure to comply with these instructions invalidates the warranty. Before you begin the installation, read all of the instructions thoroughly.

IMPORTANT

WE RECOMMEND THAT INSTALLATION OF GARAGE DOORS BE PERFORMED BY A QUALIFIED GARAGE DOOR INSTALLER.

We recommend that a team of two individuals perform the installation.

In the event that an electric opener is installed, remove pull ropes and disable locks. The top section must be reinforced, as shown in these instructions, with a strut spanning the entire length of the top section. See page 5, step 21.

Damage to the garage door due to an improperly installed or adjusted electric opener is not covered by Amarr's warranty.

Actual number of door sections and number of panels may vary from illustrations.

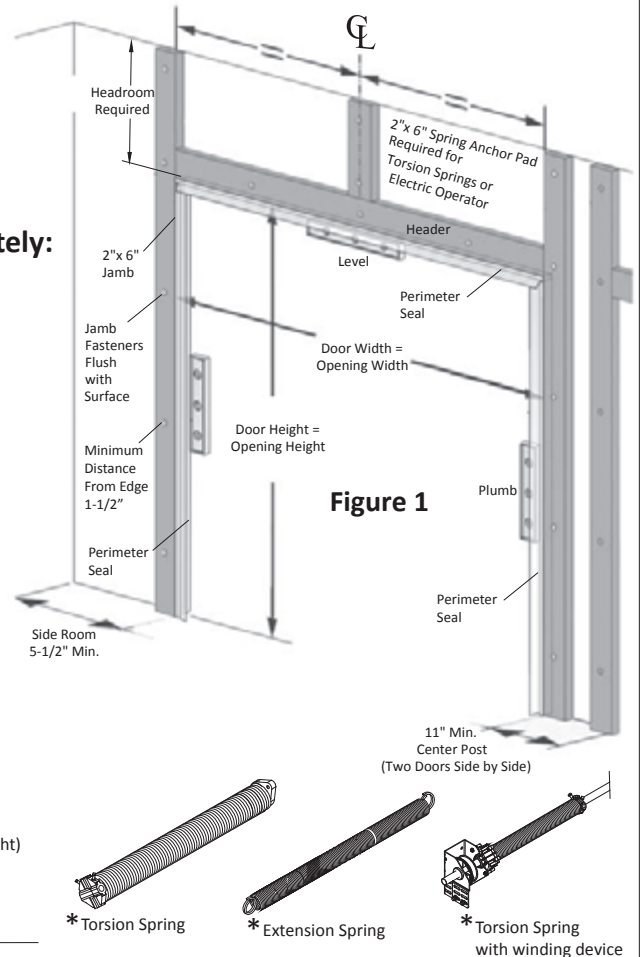
Be sure all warning labels and tags are properly affixed to door and that the Owners Manual and these instructions are posted on or near the door. For replacement documents call: 877-512-6277.

Tools Required:

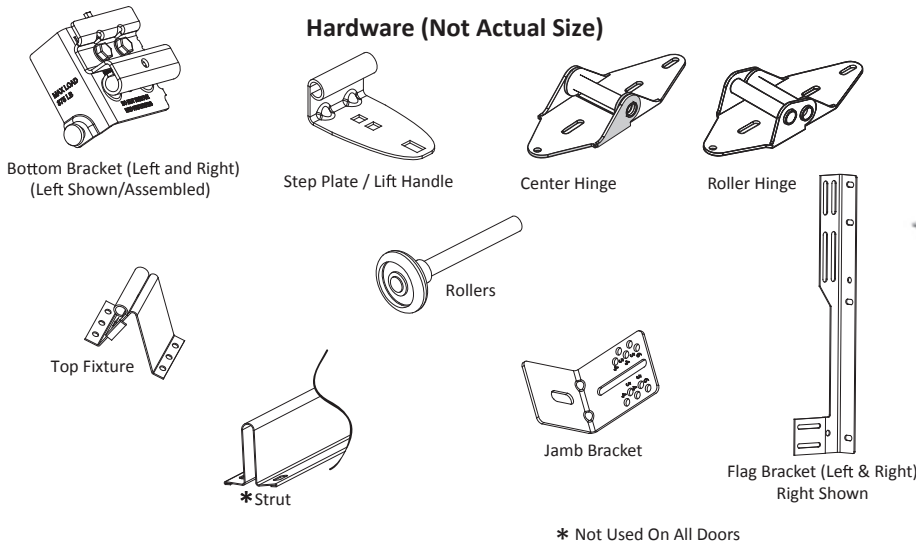
- Six Foot (6') Step Ladder
- Level 24" or 48"
- Claw Hammer
- (3) 16-Penny Nails
- Lock Grip Pliers
- Socket Wrench
- Sockets: 3/8", 7/16" and 9/16"
- Wrenches: 3/8", 7/16" and 9/16"
- Electric Drill
- Drill Bits: 3/32", 3/16", 1/4", and 3/8"
- Chalk
- Saw Horses
- Tape Measure

Not Included/Purchase Separately:

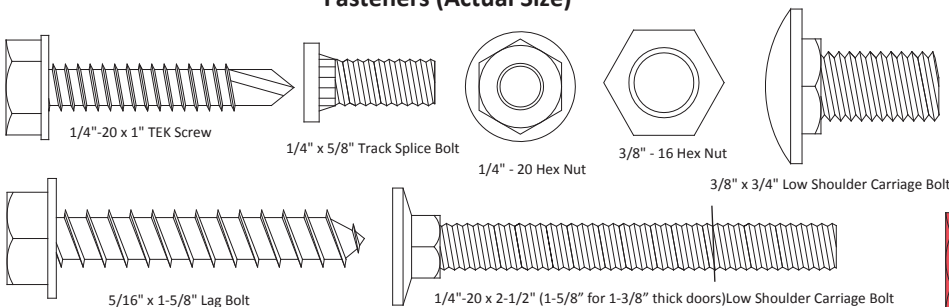
- Perimeter Seal / White Aluminum Brads
- Operator Bracket
- Track Hanger Angle / Additional Lag Screws



Hardware (Not Actual Size)



Fasteners (Actual Size)



DANGER

RED fasteners must be used where required. These fasteners hold parts which are under extreme tension. RED fasteners are not to be loosened or removed except by garage door professionals.

Step 1: Framing the Opening

The garage door opening should be approximately the same size as the door (Figure 1). The opening must be framed with 2" x 6" minimum wood jambs. Torsion Spring and Opener applications require 2" x 6" minimum Spring Anchor Pads. The jambs must be plumb and the header level for a square opening. The jambs should extend to the same height as the headroom required (Table 1). All jamb fasteners should be flush with the jambs and securely anchored to the wall. All fasteners should have a minimum edge distance of 1-1/2" to prevent splitting.

Step 2: Perimeter Seal Installation

Perimeter Seal is to be purchased separately. It is not supplied with your door (see Supplement Page 1 for details).

Step 3: Section Selection

Check the section height chart (Table 2) to ensure proper quantity of sections. The bottom section has a rubber weather seal on the bottom. The inside of the sections have pre-drilled holes for most fasteners.

Note: If additional reinforcement (struts) are supplied with your door, refer to page 8 for proper location, and Page 5, Step 21 for strut installation instructions.

Step 4: Safety Bottom Bracket Installation

Locate the Safety Bottom Bracket assembly (Figure 2). Separate all four parts by snapping apart (Figure 3). Place the bottom section face down on a sturdy pair of padded saw horses (Figure 4). Attach the left Bottom Bracket Base to the bottom of the left end stile (Figure 4A). Fasten the base with (2) 1/4" x 1" RED TEK Screws. Align the Bottom Bracket Roller Carrier with the matching holes in the base and attach with (2) 1/4" x 1" TEK Screws. Insert the Roller into the Bottom Bracket Roller Carrier (Figure 4B). Repeat this procedure for the right end stile.

Note: Holes in the stiles may not line up with all fixtures, handles, and locks. Use a 3/32" drill bit to start pilot holes for fasteners where pre-drilled holes are not provided.

Step 5: Lift Cable Installation

Secure the lift cable to the bottom bracket by hooking the looped end of the cable over the lifting stud (Figure 4B). If two sets of cables are supplied, use the longer cables as lift cables.

Step 6: Roller Hinge Installation

Roller Hinges have a number stamped on them for identification (Figure 4D). All Roller Hinges are attached to the end stiles with (2) 1/4-20 x 1" TEK Screws, with the center line of the hinge aligned along the section break.

Start with a #1 Roller Hinge on the bottom section. Insert rollers as shown (Figure 4D & Table 3).

Note: #1 Roller Hinges are always used as Center Hinges. All other Roller Hinges must not be used as Center Hinges. They are all marked with their identifying numbers.

Step 7: Center Hinge Installation

Position the Center Hinge as shown (Figure 4E). All Center Hinges are attached with (2) 1/4-20 x 1" TEK Screws in the lower section.

Note: Shown is a Single Center Hinge door, your application may have more Center Stiles and Center Hinges.

Step 8: Step Plate / Lift Handle Installation

Drill two (2) 1/4" holes straight through the Center Stile using the two dimples near the bottom of the section as a template.

Install the Step Plate / Lift Handle (outside & inside) using (2) 1/4" - 20 x 2-1/2" Carriage Bolts and 1/4"-20 Nuts (bolt heads should be on the outside) (refer to Figure 4C). Do not over-tighten, you could crush the section.

Note: An additional pair of Step Plates / Lift Handles **must** be installed at either the bottom of the second section or the bottom of the third section (you may choose which location works best for your application). Repeat Step 8 for these additional handles. The bottom of these Step Plate / Lift Handles should be a minimum of 4" from the bottom of the section, so the center hinge will clear when fastened (refer to Figure 4F).

Table 1 - Headroom Chart

Type of Spring	Track Radius	Min. Headroom Required	Min. Headroom Req'd w/ Opener
Extension	12"	12"	15"
Extension	15"	15"	18"
Torsion	12"	12"	15"
Torsion	15"	15"	18"

Table 2 - Door Height Configuration

Door Height	Section Height For doors over 8' tall, contact Amarr Garage Doors	
	18"	21"
6'-0"	4	
6'-3"	3	1
6'-6"	2	2
6'-9"	1	3
7'-0"		4
7'-3"	NA	NA
7'-6"	5	
7'-9"	4	1
8'-0"	3	2

Table 3 - Roller Progression Chart

Section #	Roller Hinge # 2" Track
#5	5
#4	4
#3	3
#2	2
Bottom #1	1

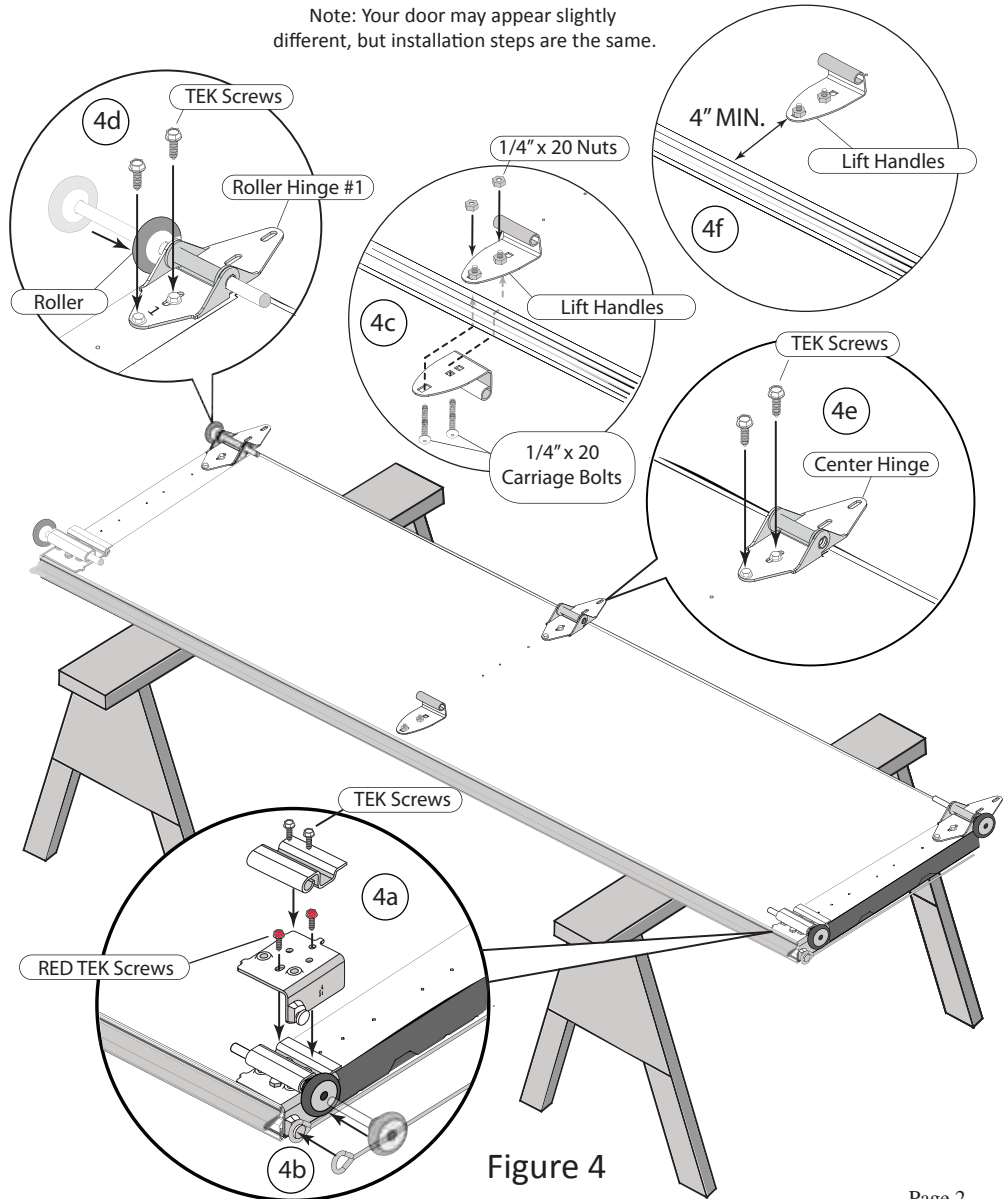
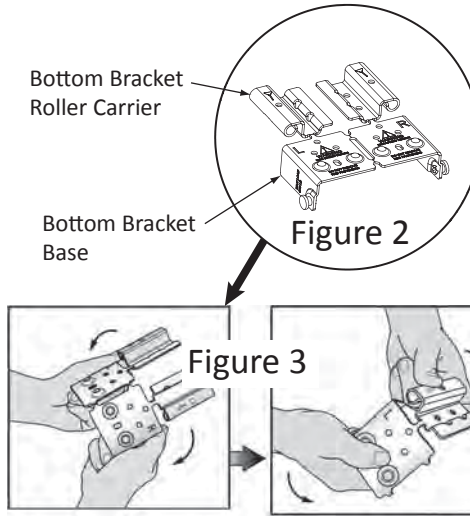


Figure 4

Step 9: Stacking the Bottom Section in the Opening

Place the bottom section (with hardware installed) in the opening against the Perimeter Seal and centered from side to side (Figure 5). Place a level on the top of the section (Figure 5A). If necessary, use a piece of wood as a shim under the low side to make the section level (Figure 5B).

Step 10: Securing the Section in the Opening
Temporarily secure the section in the opening by driving a 16-penny nail into the jamb at each end of the section and carefully bend it over the edge of the section to secure in place (Figure 5C). Make sure the section is securely held in place.

Steps 11-15: Track Assembly and Attachment

Step 11: Jamb Bracket to Track Attachment (Right Side)

Align the lower Universal Jamb Bracket with the flat side of the track as shown in Figure 6A & 6B. Attach with (1) 1/4" x 5/8" Track Splice Bolt and (1) 1/4"-20 Hex Nut. Hand tighten. Repeat this step for the upper jamb Bracket. See the Jamb Bracket Location chart for placement.

Note: This will allow for slight adjustments during the installation.

Note: 1/4"-20 Hex Nuts always go on the outside of the track.

Step 12: Flag Bracket Attachment (Right Side)
Position the flat side of the Flag Bracket with the flat side of the track (Figure 6C). Loosely attach the lower slot of the Flag Bracket to the top of the Vertical Track with (2) 1/4" x 5/8" Track Splice Bolts and (2) 1/4"-20 Hex Nuts.

Note: 1/4"-20 Hex Nuts always go on the outside of the track

Step 13: Positioning the Track on the Door (Right Side)

Place the Vertical Track with Jamb Brackets attached over the rollers as shown (Figure 7C).

Note: If you raise one side of the bottom section to level it, you MUST raise the track on that side the same amount for the door to operate properly.

Note: Vertical Tracks must be level with each other for the door to function properly. The bottom of the track MUST be equal to the bottom of the section. If not level, raise the lower track but not higher than 3/8" from the floor (Figure 7D). Vertical Tracks must be plumb as well.

Note: Maintain 3/8" space between the door edge and the vertical track (Figure 7C).

Step 14: Mounting the Vertical Track to the Jamb (right side)

With both tracks properly aligned, securely fasten each Jamb Bracket to the jamb with (1) 5/16"x1-5/8" Lag Bolt (Figure 7A). Note: Predrill a 3/16" hole to prevent splitting of wood.

Step 15: Mounting the Flag Bracket to the Jamb (right side)

Secure the Flag Brackets (keeping them plumb) with (3) 5/16"x1-5/8 lag bolts to the jamb (Figure 7B). Note: Predrill 3/16" hole to prevent splitting of wood.

Repeat Steps 11 thru 15 for the left side Vertical Track.

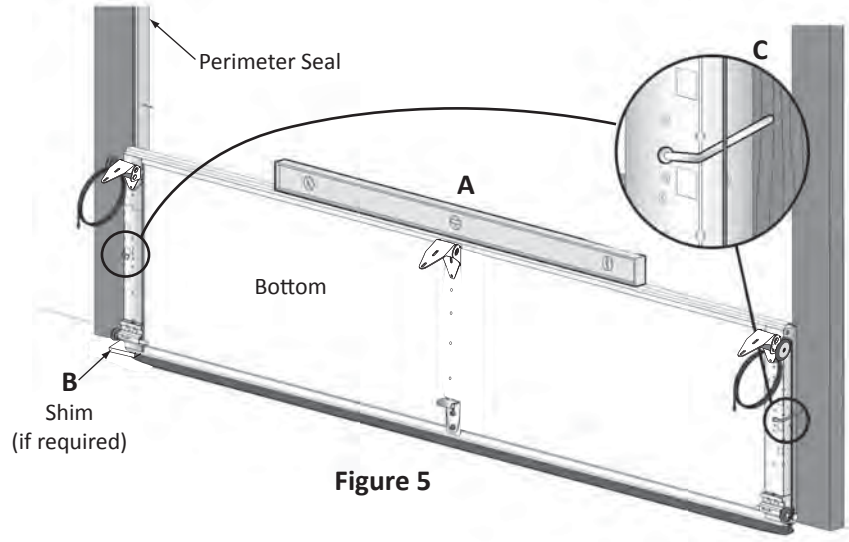


Figure 5

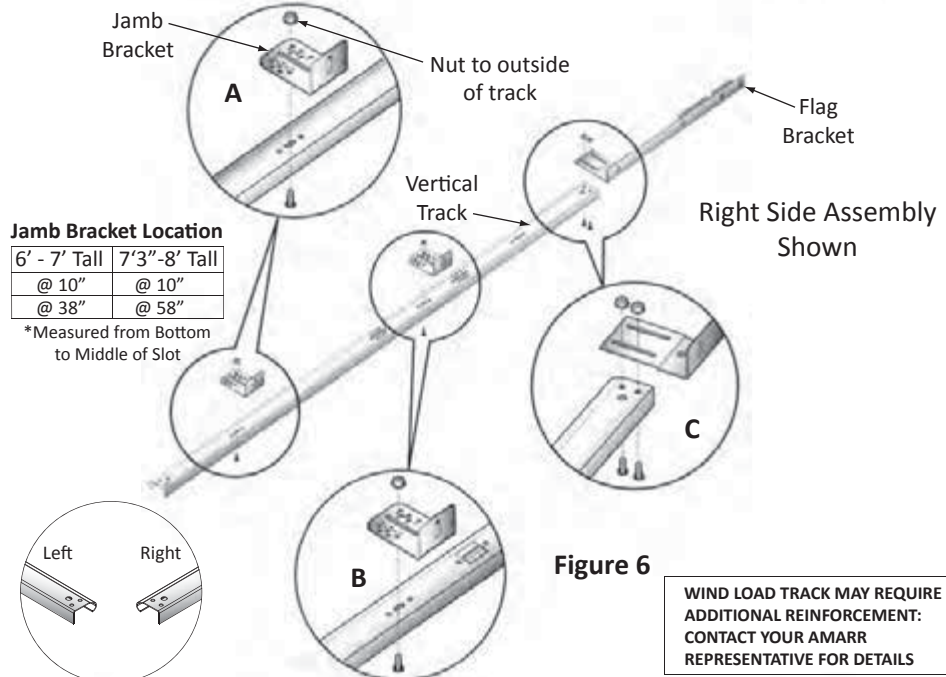


Figure 6

WIND LOAD TRACK MAY REQUIRE ADDITIONAL REINFORCEMENT: CONTACT YOUR AMARR REPRESENTATIVE FOR DETAILS

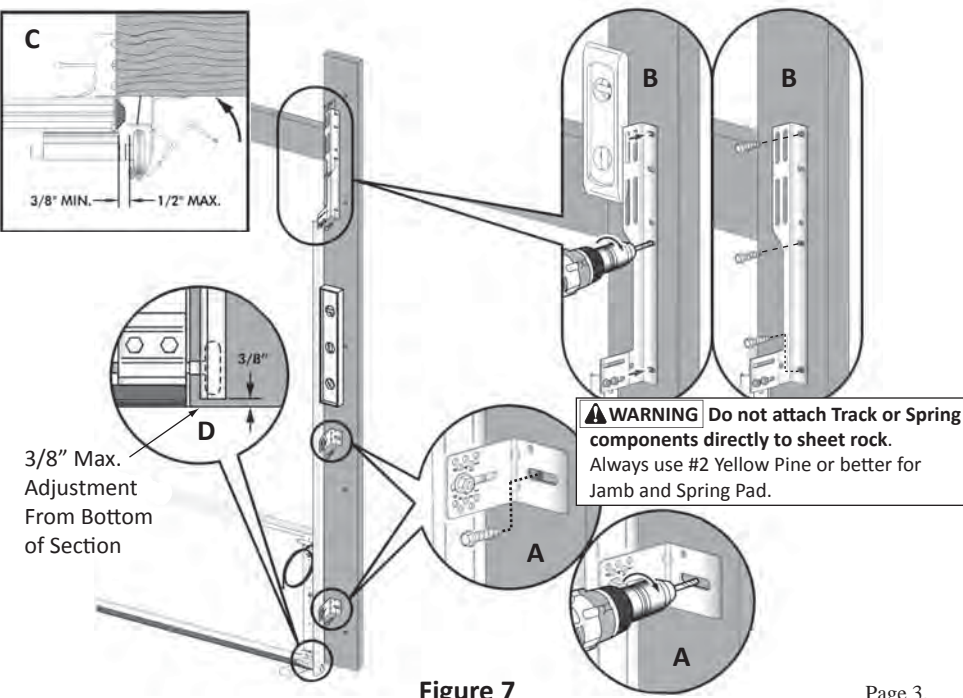


Figure 7

WARNING Do not attach Track or Spring components directly to sheet rock. Always use #2 Yellow Pine or better for Jamb and Spring Pad.

Step 16: Installing Intermediate Section Hardware

Note: "Intermediate" refers to sections above the bottom section and below the top section.

Place the second section face down on the padded saw horses.
Install the #2 Roller Hinges and Rollers (#3 for 3 section doors) as shown on Page 2, Step 6.
Install the Center Hinge(s) as shown on Page 2, Step 7.

Note: Install locks if required or provided. See Supplement Page 1 or instructions provided with the lock for details.

Note: If additional reinforcement (struts) are supplied or required with your door, refer to page 8, for proper location.

Note: Begin with Page 5, Step 21 for Strut Installation instructions.

Step 17: Stacking Intermediate Section(s) in Opening
Carefully lift the Intermediate Section, with the rollers, roller hinges, center hinges, and struts (if required) to the top. Slide the rollers down into the track (Figure 8). Slowly lower the section down onto the bottom section that you stacked earlier (Figure 9).

Step 18: Center Hinge(s) Installation

Once the section is in place, push up the upper leave(s) of the Center Hinge(s) and attach to the section above with (2) 1/4"x 1" TEK Screws (Figure 10).

Step 19: Roller Hinge Installation (Left & Right)

Once the section is in place, push up the upper leave(s) of the Roller Hinge(s) and attach to the section above with (2) 1/4"x 1" TEK Screws (Figure 11).

Note: Repeat steps 16-19 for each intermediate section required (Figure 12).

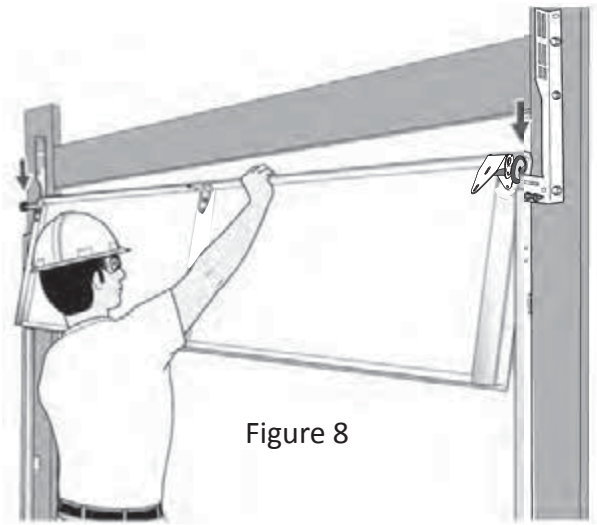


Figure 8

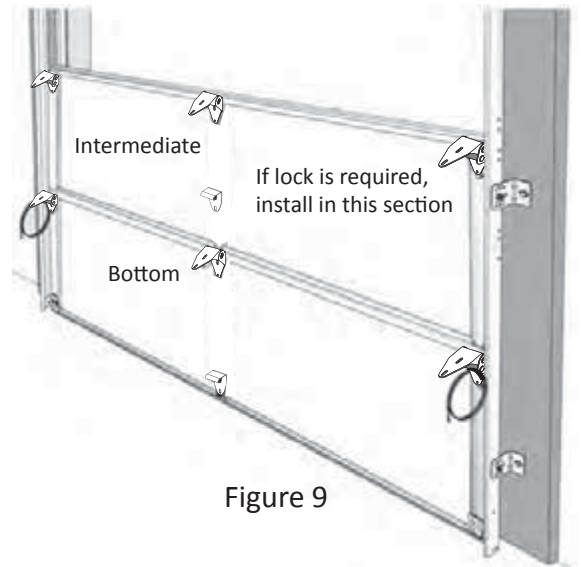


Figure 9

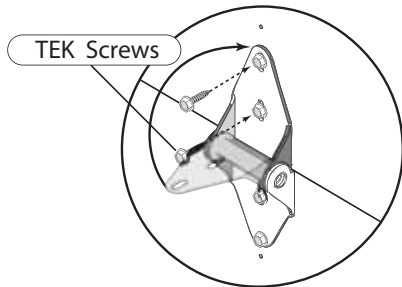
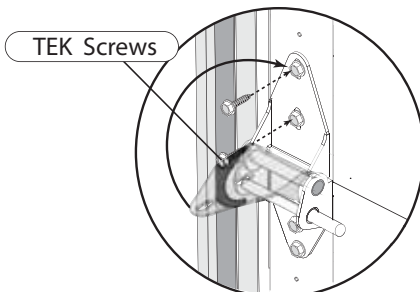


Figure 10



Left side shown

Figure 11



Figure 12

Step 20: Installing Top Section Hardware
Place the top section face down on your padded saw horses.

Note: If struts are not required, skip to Step 22.

Step 21: Strut Installation
If Strut(s) are required, location is shown on page 8. Install using (2) 1/4" x 1" TEK Screws into each end stile (Figure 14C).

Attach Strut(s) to the center stile with (2) 1/4" x 1" TEK Screws, (Figure 14A).

Note: Due to lack of available head room (refer to Page 2, Table 1), you may require a Low Head Room application. If this is the case, skip Step 22 and go to Step 23.

Step 22: Top Fixture Installation (Standard Head Room)
Align the Top Fixtures with holes on the end stiles. Secure the fixture to the end stiles with (3) 1/4" x 1" TEK Screws (Figure 13A). Insert Rollers as shown (Figure 13A). Leave the slide loose for adjustment later.

Step 23: Top Fixture Installation (Low Head Room)
Attach the Flat Top Fixture (for Low Head Room applications), (Figure 14B) on the top corner of the end stiles. Secure the fixture to the end stiles with (2) 1/4" x 1" TEK Screws (Figure 14B). Insert Rollers as shown (Figure 14B). If a strut is required, refer to Step 21 for instructions. In this case the Strut will mount on top of the lower portion of the Low Head Room Flat Top Fixture (Figure 14B).

Step 24: Stacking the Top Section in the Opening
Carefully lift the Top Section, with the rollers, top fixtures and struts (if required). Slowly lower the section on to the previously installed intermediate section. Temporarily secure the top section by driving a 16-penny nail into the header and carefully bending it over (Figure 15A).

Step 25: Center Hinge(s) Installation
Once the top section is secured, push up the upper leave(s) of the Center Hinge(s) and attach to the upper section with (2) 1/4" x 1" TEK Screws (Page 4, Step 18).

Step 26: Roller Hinge Installation
Once the top section is secured, push up the upper leave(s) of the Roller Hinge(s) and attach to the top section with (2) 1/4" x 1" TEK Screws (Page 4, Step 19).

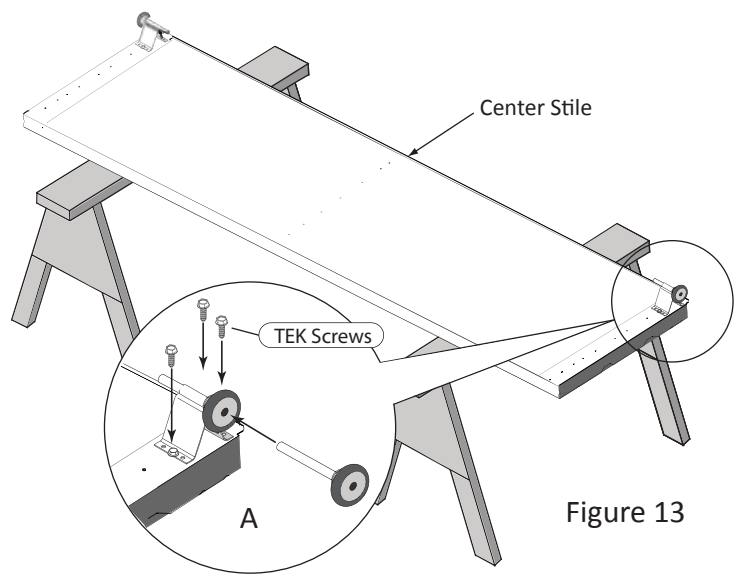


Figure 13

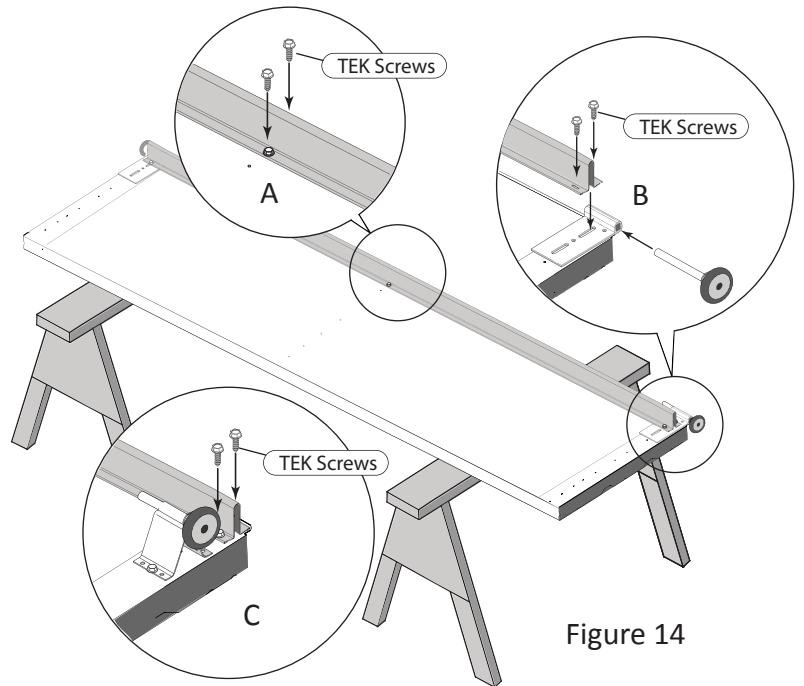


Figure 14

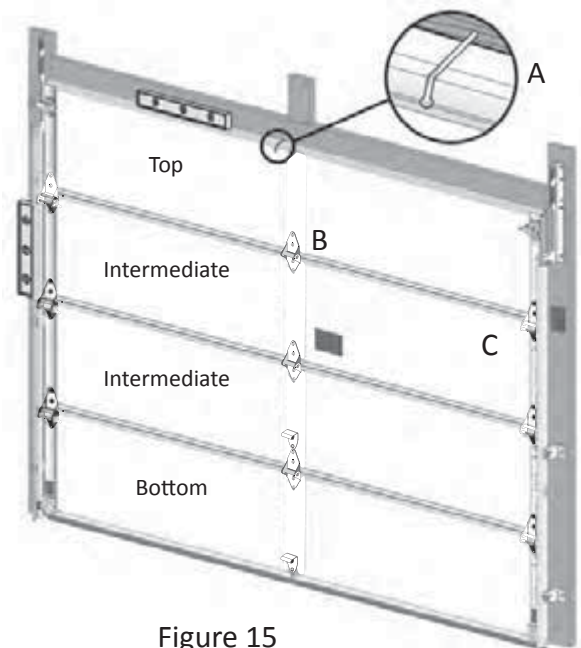


Figure 15

Note: For doors requiring a Low Head Room Installation (see Page 2, Table 1), see Supplement Page 2 or 3.

Step 27: Horizontal Track to Flag Bracket Attachment (Left Side Assembly shown)
Place the curved end of the Horizontal Track Assembly over the roller in the Top Fixture and attach to the Flag Bracket with (2) 1/4"x5/8" Track Splice Bolts and (2) 1/4"-20 Hex Nuts (Figure 16A). Temporarily support the back end of the track using a rope or wire attached to the ceiling to support the back end of the track.

Note: 1/4"-20 Hex Nuts always go on the outside of the track.

Step 28: Horizontal Angle to Flag Bracket Attachment
Attach the end of the Horizontal Angle to the Flag Bracket with (1) 3/8"x3/4" Low Shoulder Carriage Bolts and (1) 3/8"-16 Hex Nut (Figure 16B).

Note: For 2" thick doors use the second slot on the Flag Bracket (farthest from the jamb).

Note: 3/8"-16 Hex Nuts always go on the outside of the assembly (away from the door).

Step 29: Track Hanger Installation (see Supplement Page 4)
Replace support rope or wire with metal Angle Hangers (Purchased separately, recommend minimum 14 gauge) (Figure 16C & E). Hangers need to be level and plumb. Angle must fasten to studs (see Supplement).

Note: Repeat steps 27 - 29 for Right Side Horizontal Assembly.

Important: Horizontal Track must be spaced 3/8" from the sections to prevent the sections from falling out of the track.

Step 30: Inspecting the Track Installation
Using a tape measure and level, make sure the track is level and square with the opening (Figure 16). Make sure that the distance between the track and the door is equal at the bottom of the Vertical Track, at the curve of the horizontal, and at the back of the Horizontal Track (approximately 3/8"). Adjustment to the track position may need to be made later, after the springs are installed and the door is opened to maintain the proper spacing.

Step 31: Adjusting the Top Fixture
With the door in the closed position, tighten the slide on the Top Fixture by pushing the top section tight against the opening and lightly pulling the top slide toward the inside of the garage (Figure 16D). Tighten the nuts.

Step 32: Remove all Temporary Nails

Step 33: Pull Rope Installation (no Electric Opener only)
If an electric opener is not used, attach one end of the pull rope to the Safety Bottom Bracket and the other end to the second Jamb Bracket. To prevent accidents, DO NOT INSTALL PULL ROPE IF ELECTRIC OPENER IS USED.

⚠ DANGER Go to page 7 for Torsion Spring installation instructions. Refer to the Supplemental Instructions for Extension Spring installation instructions. After springs are installed, proceed to Step 34.

Step 34: Secure the Perimeter Seal
Close the door from the outside and permanently nail the Perimeter Seal for a snug fit so that the seal does not bind the door. Wax the hard edge of the seal to prevent binding (if necessary).

Step 35: Install Safety Stickers to Door
Install supplied Safety Stickers as shown in Fig 16.

Step 36: Final Check
A. Make sure there is a 3/8" clearance between the door and the track along the entire horizontal and vertical track assemblies. Adjust as necessary.
B. Make sure the door is square with the opening.
C. If the door does not operate easily, make sure that the door to track spacing is correct and that the door is not binding.

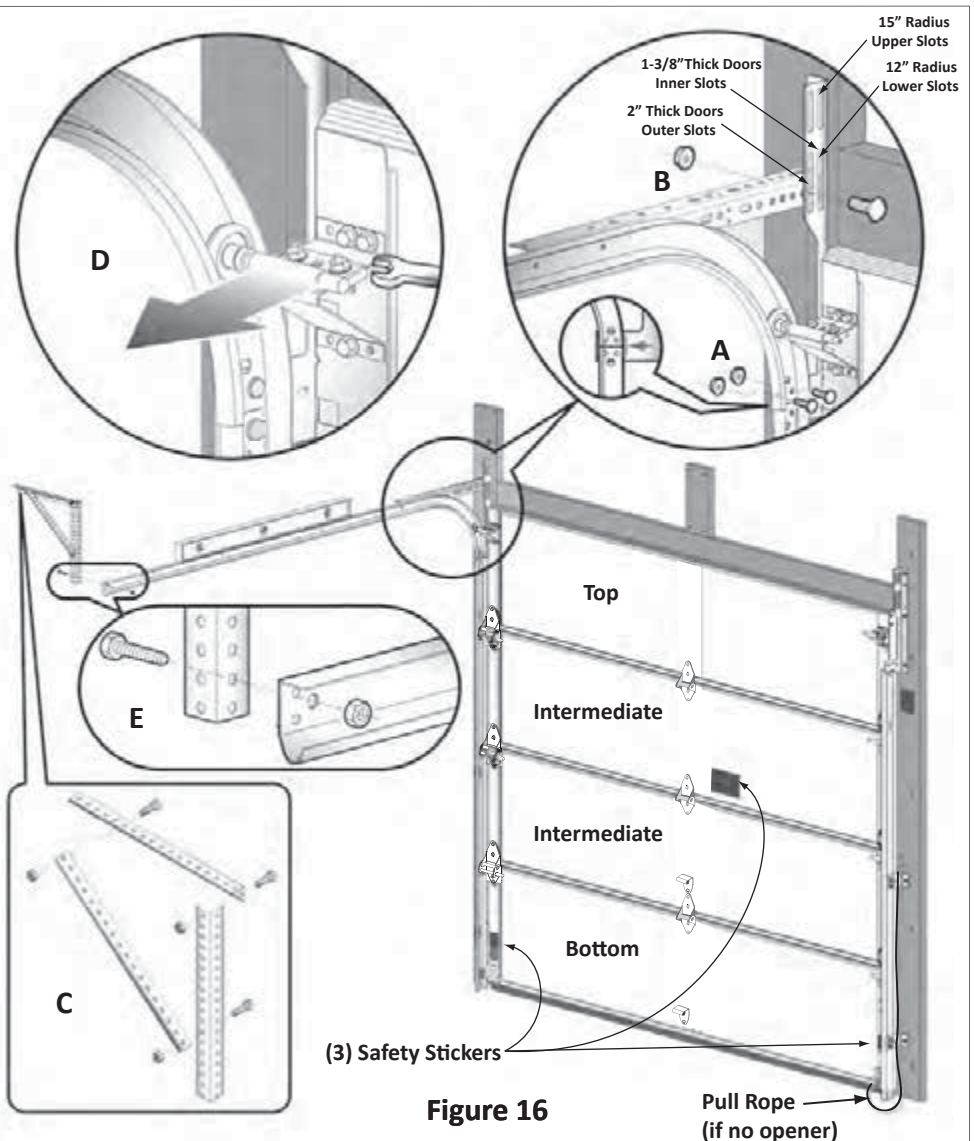


Figure 16

⚠ WARNING Do not attach Track or Spring components directly to sheet rock. Always use #2 Yellow Pine or better for Jamb and Spring Pad.

READ THE OWNER'S MANUAL FOR OPERATION, WARRANTY, SAFETY, AND MAINTENANCE INSTRUCTIONS.

⚠ DANGER

High spring tension can cause serious injury or death. Do not attempt to remove, repair, or adjust any springs, any RED colored fasteners, or the hardware to which the RED colored fasteners are attached. Removal, adjustment, or repair must be made by a trained garage door technician.

Torsion Spring Installation Instructions

Note: Doors may be supplied with 1 or 2 Torsion Springs. Directions for installation are the same.

Note: Doors may be supplied with extension springs. See Supplemental Instructions, Page 5 for details.

Note: Doors may be supplied with a spring winding device. See instructions provided by the manufacturer, in the box for details.

Step 1: End Bearing Plate Attachment (Left Side)

Note: Use ladder where required.

Attach the left side End Bearing Plate to the Flag Bracket and Horizontal Angle with (2) 3/8"x3/4" Low Shoulder Carriage Bolts and (2) 3/8"-16 Hex Nuts (Figure 1A & B).

Note: 3/8"-16 Hex Nuts always go to the outside of the Flag Bracket.

Secure the Tab on the End Bearing Plate, to the Jamb/Spring pad with (1) 5/16"x1-5/8" Lag Bolt (Figure 2A). Pre-drill a 3/16" pilot hole to prevent splitting the wood.

Repeat Step 1 for the Right Side End Bearing Plate

Step 2: Torsion Spring Unit Installation:

Slide the left side (Red) drum onto the shaft. The Set Screws should be facing toward the center of the shaft. Next, slide the left side Torsion Spring (Red) onto the shaft, with the set screws facing toward the outside, then slide the Nylon Bearing onto the shaft (the Nylon Bearing should be turned so it is able to slide into the spring, Figure 3A). If your door requires (2) springs, slide the Right/Black spring on facing in the opposite direction of the Left/Red spring. Slide on the right side (Right/Black) drum with the set screws facing toward the middle.

Step 3: Installing the Torsion Spring Unit

Keeping the shaft level, slide the complete Spring Assembly into the Left and then Right side End Bearing Plates (Figure 3). There should be an equal amount of the shaft protruding from each End Bearing Plate (Fig 3).

Step 4: Installing the Center Bearing Plate

The Center Bearing Plate must be mounted in the center of the shaft, and level with the End Bearing Plates so the shaft is level. Fasten the Center Bearing Plate to the Spring Anchor Pad with (2) 5/16"x1-5/8" RED Lag Bolts (Figure 3B). Pre-drill a 3/16" pilot hole to prevent splitting the wood.

Step 5: Installing the Spring(s)

Do not remove the Warning Label from the Center Bearing Plate. Slide the spring against the Center Bearing Plate, with the Nylon Bearing inserted into the spring (Figure 3A). Using (2) 3/8"x1-1/2" screws and (2) 3/8"-16 RED Hex Nuts, fasten the spring(s) to the Center Bearing Plate (Figure 3C). If two springs are required, the screws go through both Springs and the Center Bearing Plate. Tighten securely.

Step 6: Installing the Lift Cables

Bring the Left Side Lift Cable up between the door and the track, behind the Torsion Shaft and over the Left Side Drum. Slide the drum against the End Bearing Plate. Hook the Cable Stop into the notch on the outside edge of the drum (Figure 4). Turn the drum with your hand until the cable is snug. Using only your fingers, tighten the (2) Set Screws on the drum finger tight. Then, turn each screw 1/2 to 1 turn with a wrench.

Note: Do not over tighten the Set Screws, this could damage the Torsion Shaft.

Using a pair of Lock Pliers, clamp the shaft from the outside of the End Bearing Plate, so that the cable does not loosen or unwind (Figure 3D). The back of the Lock Pliers should rest solidly against the jamb/header. This will prevent the drum from unwinding or rising up as you wind the spring.

Repeat Step 6 for the Right Side Cables and Drum.

Step 7: Winding the Torsion Spring(s)

Mark a straight line on the Spring(s) with a piece of chalk (Figure 6, Step1). Insert the Winding Bars completely into the full depth of the holes in the Winding Cone. Always wind pushing the Winding Bars up (Figure 5 Step 2) 1/4 turn at a time. When the correct number of turns are on the spring(s) (Table 3 & Figure 6 Step 3), keeping tension with the Winding Bar, using only your fingers, tighten the Set Screws on the spring(s) finger tight. Then, turn 1/2 to 1 turn with a wrench.

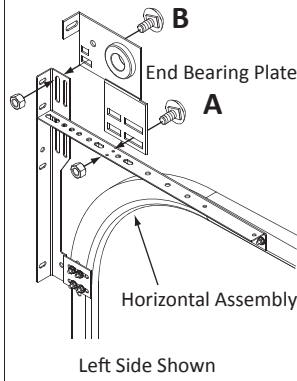
Note: Do not over tighten the Set Screws, this could damage the Torsion Shaft.

Very carefully remove the Winding Bars and the Lock Pliers.

Note: There should be no tension on the Winding Bars.

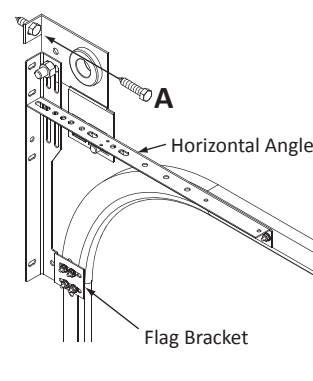
Test your installation by working the door up and down. The door should balance (not go up or down) at 2', 3' and 4' off the floor.

Proceed to Step 34, Page 6 to finish with the installation.



Left Side Shown

Figure 1



Flag Bracket

Figure 2

Table 3 - Number of Turns Required for Springs

Door Height	Turns 12 Radius	Turns 15 Radius	Turns LHR
6'-0"	6.7	7.1	6.3
6'-2"	6.9	7.2	6.4
6'-3"	7.0	7.3	6.5
6'-5"	7.2	7.4	6.6
6'-6"	7.2	7.5	6.7
6'-9"	7.4	7.7	6.9
6'-10"	7.5	7.8	7.1
7'-0"	7.6	7.9	7.2
7'-1"	7.7	8.0	7.3
7'-4"	8.0	8.2	7.5
7'-6"	8.1	8.4	7.6
7'-8"	8.2	8.5	7.8
7'-9"	8.3	8.6	7.9
8'-0"	8.5	8.8	8.1

Note: For doors over 8' tall, contact Amarr Garage Doors.

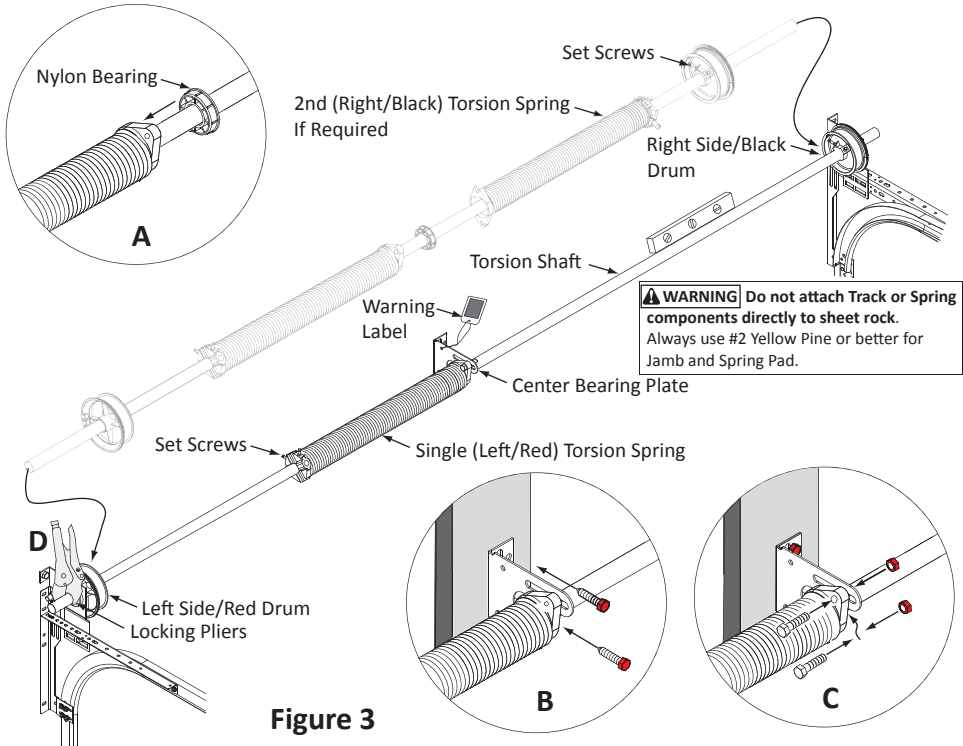


Figure 3

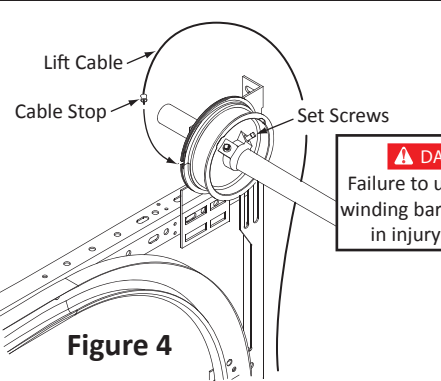


Figure 4

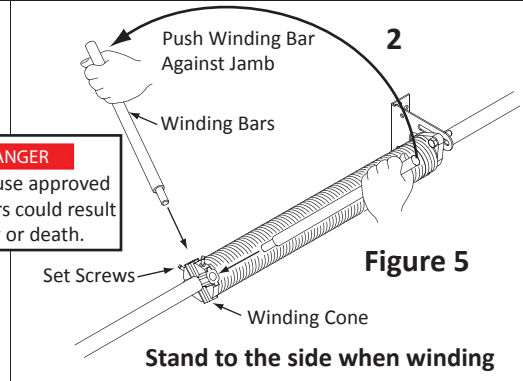


Figure 5

Stand to the side when winding

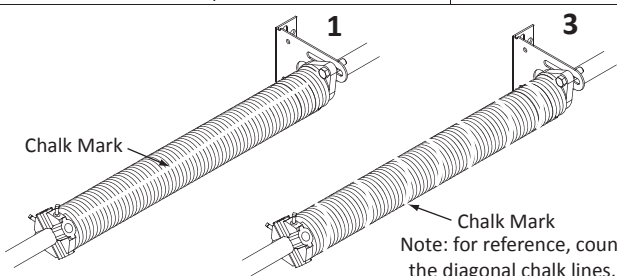


Figure 6

Step 1 of 3: Number of Struts & Strut Size

Model	Width	4 Sections	5 Sections
Hillcrest 3138 / 3000*	6'-0" - 14'-0"	0 Struts ★	0 Struts ★
Lincoln 3138 / 3000*	14'-2" - 16'-0"	(1) 2" Strut	*(1) 2" Strut
Olympus 3138 / 3200			(2) 2" Strut
Designer's Choice 3138 / 3200	16'-2" - 18'-0"	*(1) 2" Struts	*(1) 2" Struts
Carriage Court 4000		(3) 2" Struts	(4) 2" Struts
Hillcrest 1000 / 2000	16'-2" - 18'-0"	*(2) 3" Struts	*(2) 3" Struts
	Lincoln 1000 / 2000	(3) 2" Struts	(4) 2" Struts
Hillcrest 1000 / 2000	16'-2" - 18'-0"	(4) 2" Struts	(5) 2" Struts
	Lincoln 1000 / 2000	(4) 3" Struts	(4) 3" Struts

★ Minimum (1) strut required, on top section, for doors with opener

Step 2 of 3: Strut Location

Indicates placement of struts based on number of struts required and number of sections.

4 Sections		5 Sections	
	# Struts		# Struts
Top	1	Top	1
Int	3	Int	4
Int	2	Int	2
Bot	4	Int	5
		Bot	3

Strut Detail Example:

16'-0" width x 8'-0" tall - (5) Sections - (3) 2" - 20 ga Struts

Step 1: Number of struts - (3) 2" 20 ga.

Step 2: Strut Location

Step 3: Strut Attachment

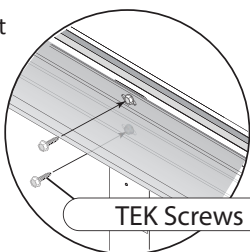
(A) (B)	Top	1	5 Sections
	Int		
(C) (D)	Int	2	
	Int		
(C) (D)	Bot	3	

SEE PAGE 5, STEP 21 FOR INSTALLATION DETAILS.

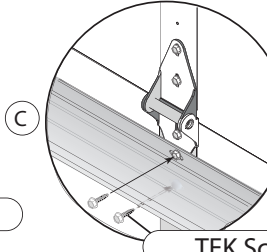
Step 3 of 3: Strut Attachment

1st Strut

Center Stile Attachment
Top Section



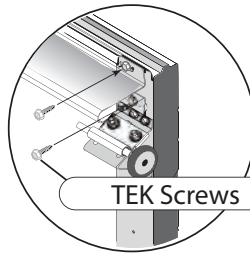
TEK Screws



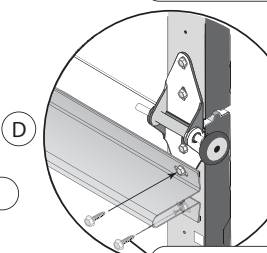
TEK Screws

Center Stile Attachment
Intermediate &
Bottom Section

End Stile Attachment
Top Section



TEK Screws



TEK Screws

End Stile Attachment
Intermediate &
Bottom Section

IMPORTANT NOTICE

DAMAGE TO THE GARAGE DOOR DUE TO AN IMPROPERLY INSTALLED OR ADJUSTED ELECTRIC OPENER IS NOT COVERED BY ENTREMATIC'S WARRANTY.

ELECTRIC OPENER ATTACHMENT

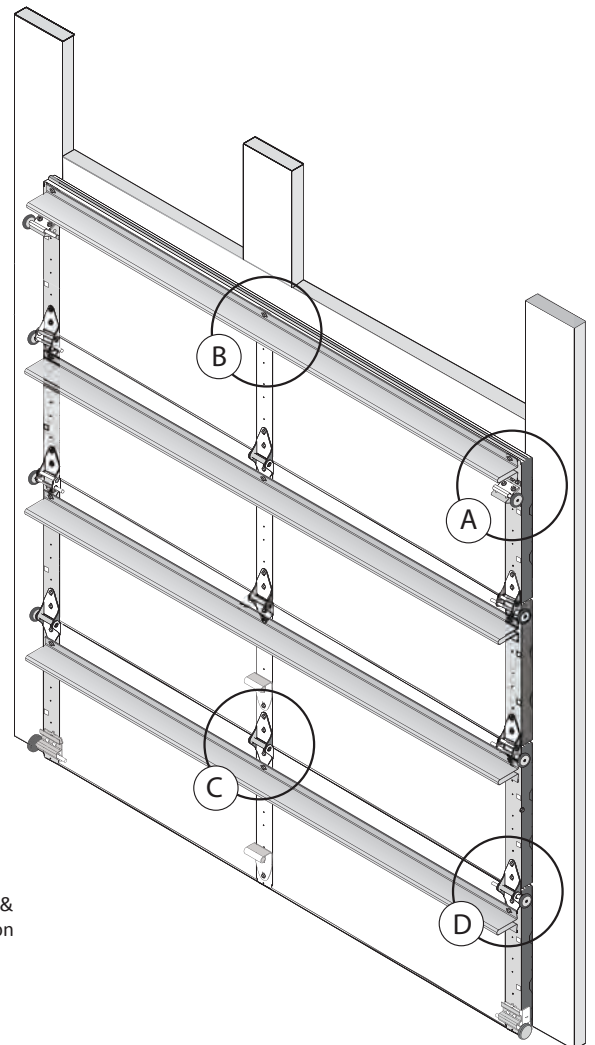
When installing a garage door opener, the following applies:

1. The door springs must be in good working order and the door must be balanced (should be able to raise the door 1/2 way and have the door stay in place).
2. The top section of the door MUST include a strut in order to reinforce the opener arm lift point (as illustrated in Page 5, Step 21).
3. Disconnect and/or remove all locks and pull ropes. Attempting to use the opener while door is locked will damage your garage door.

IMPORTANT NOTICE

YOUR DOOR MAY REQUIRE ADDITIONAL REINFORCEMENT TO MEET SPECIFIC WIND LOAD REQUIREMENTS. ENTREMATIC RECOMMENDS THAT YOU CONTACT YOUR LOCAL BUILDING OFFICIAL FOR SPECIFIC WIND LOAD REQUIREMENTS IN YOUR AREA.

MANY AMARR DOORS HAVE ENGINEERING DRAWINGS TO MEET WIND LOAD REQUIREMENTS. DOORS MUST BE ASSEMBLED PRECISELY AS SHOWN IN THE DRAWINGS.



SUPPLEMENTAL INSTALLATION INSTRUCTIONS

Amarr Residential Steel Garage Doors

DANGER

High spring tension can cause serious injury or death. Do not attempt to remove, repair, or adjust any springs, any RED colored fasteners, or the hardware to which the RED colored fasteners are attached. Removal, adjustment, or repair must be made by a trained garage door technician.

Page 1 - Slide Lock Installation

Page 2 - Perimeter Seal

Page 3 - Low Head Room Front Mount

Page 4 - Low Head Room Rear Mount

NOTICE

Failure to comply with these instructions invalidates the warranty. Before you begin the installation, read all of the instructions thoroughly.

Page 5 - Track Hanger Installation

Page 6 - Extension Spring Installation

Page 7 - Low Head Room Extension

Page 8 - Garage Door Operator Attachment

IMPORTANT Wind & Load Notice

- Contact your local building official for specific Wind & Load requirements in your area.
- Doors must be designed with Wind & Load requirements in mind.
- The forces a garage door system transmits to the building structure openings, such as jambs, spring anchor pads, headers, and horizontal track must be considered.

NOTICE

Failure to comply with these instructions invalidates the warranty. Before you begin the installation, read all of the instructions thoroughly.

Slide Lock Installation Instructions

NOTE: Do not install Slide Locks if your door is equipped with an Electric Garage Door Opener.

NOTE: If you are going to install an Electric Garage Door Opener later, remember to remove or disable the Slide Locks. You can disable the lock by opening the dead bolt and putting a lock or bolt through the lock hole (Fig 4).

NOTE: Locks (including Slide Locks) will damage your Electric Garage Door Opener and your door if the lock is engaged when the operator tries to raise the door. This will invalidate the door warranty.

Note: Doors may not be supplied with Slide Locks and fasteners. These items must be purchased separately.

Note: These instructions show a Double Layer door but apply to Single and Triple layer doors as well.

Note: It is best to knock out the tab from the inside before the track is installed.

Step 1: (Right Side) Using a hammer and punch, knock out the pre-punched rectangular metal tab from the Horizontal Track (Fig 1).

Step 2: With your door in the fully closed position, locate your lock so that the slide will line up with the center of this rectangular hole (Fig 3, Fig 4). Securely fasten the Slide Lock to the 2nd section with (2) 1/4"x5/8" Universal Screws (Fig 2). You may need to pre-drill 3/32" pilot holes if holes in the section do not line up with this location.

Step 3: With your door in the fully closed/down position, test the Slide Lock for ease of operation. Adjust the lock up or down if necessary (Fig 3, Fig 4).

Repeat Steps 1-3 for the left side.

NOTE: Other locks may be provided with your doors. Refer to installation instructions included with the lock for details.

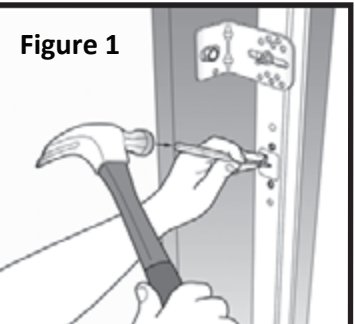


Figure 1

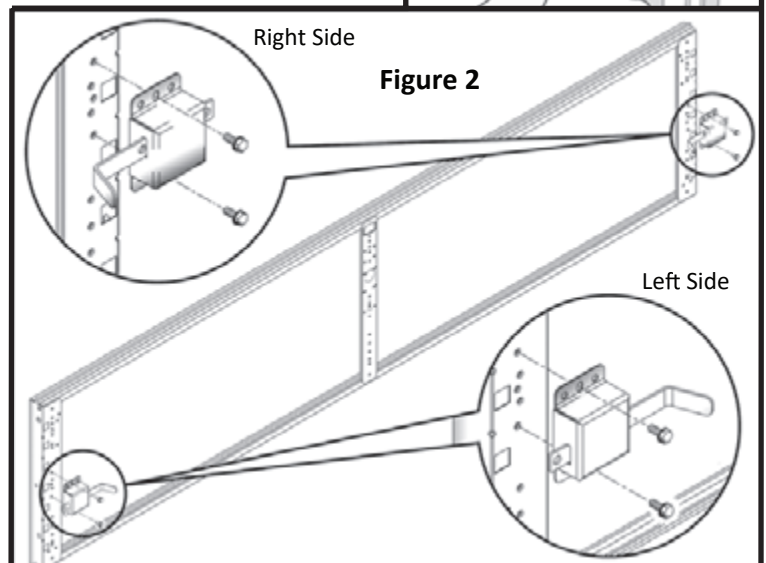


Figure 2

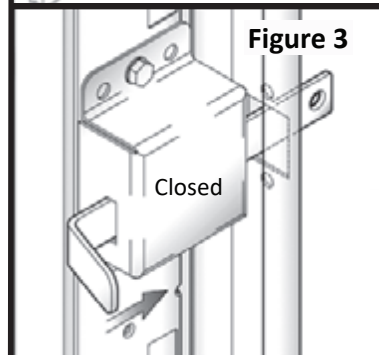


Figure 3

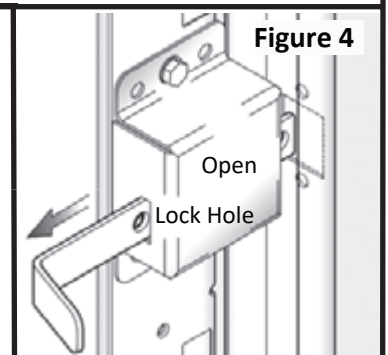


Figure 4

Perimeter Seal Installation Instructions

Note: Doors are not supplied with Perimeter Seal or fasteners. These items must be purchased separately.

Note: The Perimeter Seal shown here has a vinyl flap. Perimeter Seal is available with no flap. Skip Step 8 for seal with no vinyl flap.

Note: A Hacksaw is required for smooth, accurate cuts.

Step 1: Measure horizontally across the top of your Header (Fig 1). This may require two people to hold the tape measure.

Step 2: Mark your first piece of Perimeter Seal for cutting (Fig 2).

Step 3: Using a Hack Saw (Fig 3), carefully cut the Perimeter Seal to length.

Step 4: Starting at the end (Fig 4), tap the fasteners halfway into the seal, beginning at 6" from the end and continuing every 12" on center.

Step 5: Holding the seal in place (the edge with the flap should be flush with the inside of the jamb) (Fig 5 & 6), hammer the fasteners partially into the jamb. This will allow for slight adjustments later.

Step 6: Measure the vertical (left side) of your Jamb (Fig 1). Mark your second piece of Perimeter Seal for cutting (Fig 2).

Step 7: Using a Hack Saw (Fig 3), carefully cut the Perimeter Seal to length.

Step 8: Cut a 45° angle through the molding where it meets the top, horizontal piece (Fig 7). This will allow the flap on the horizontal seal to lay down flush with your door.

Step 9: Starting at the top (Fig 4), tap the fasteners halfway into the seal, beginning at 6" from the top and continuing every 12" on center.

Step 10: Holding the seal in place (the edge with the flap should be flush with the inside of the jamb) (Fig 8), hammer the fasteners partially into the jamb. This will allow for slight adjustments later.

Repeat Steps 6 - 10 for the right side Perimeter Seal.

Step 11: When your door is installed, balanced and closed with either the operator or lock, you may completely nail the Perimeter Seal to the jambs (making any slight adjustments as required).

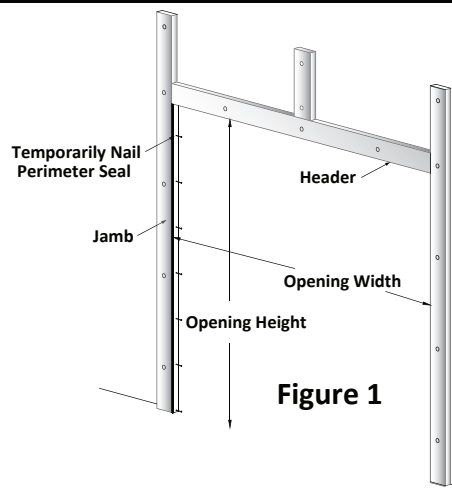


Figure 2

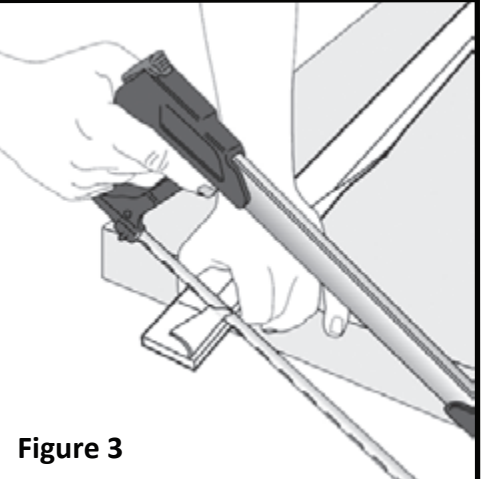
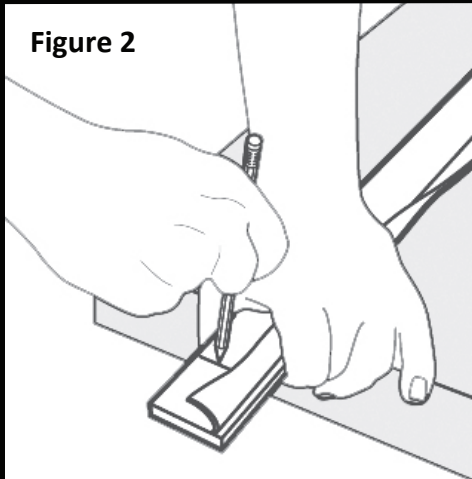


Figure 3

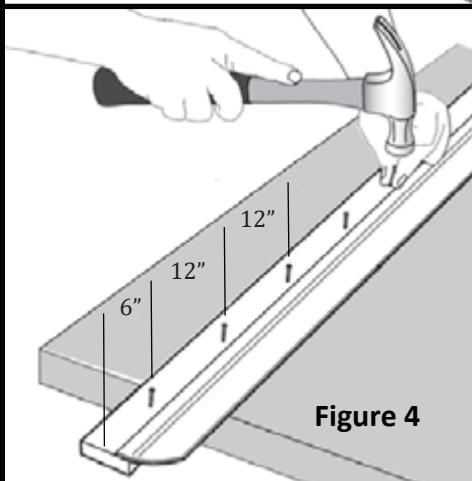


Figure 4

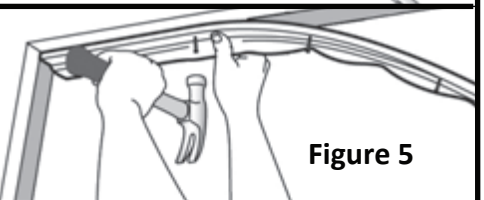


Figure 5

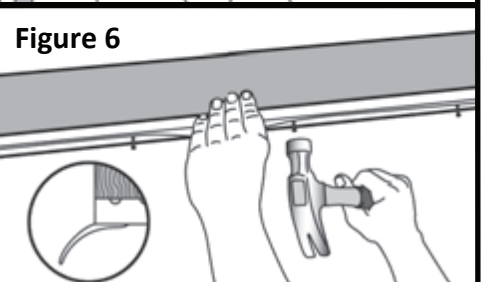


Figure 6

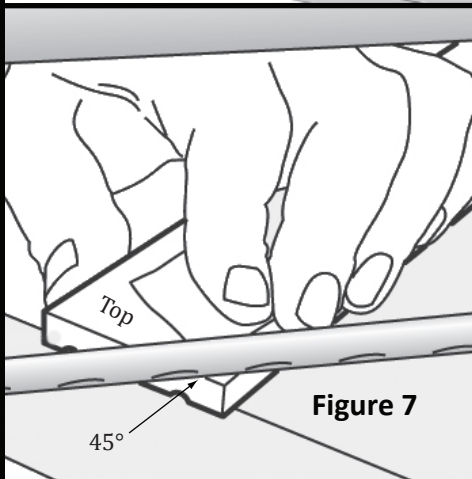


Figure 7

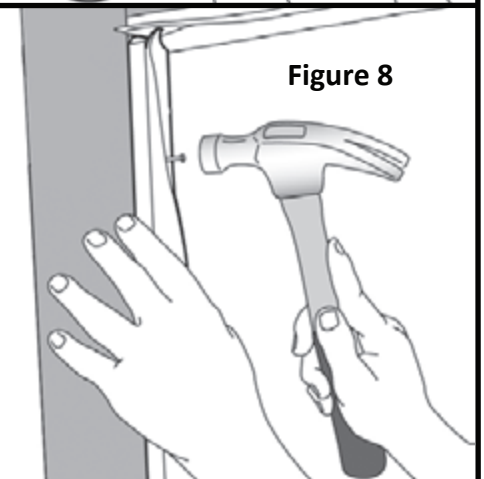


Figure 8

Low Head Room Front (LHF) Track
Installation Instructions

Step 1: Horizontal Track to Flag Bracket Attachment
(Left Side Assembly Shown)

Place the curved end of Upper Horizontal Track assembly over the roller in the top fixture (refer to page 5, step 24 for Low Head Room Top Fixture installation) and attach to the flag bracket with (2) 1/4"x5/8" Track Splice Bolts and (2) 1/4"-20 Hex Nuts (Figure 1A). Temporarily support the back end of the track using a rope or wire attached to the ceiling.

Note: 1/4"-20 Hex Nuts always go to the outside of the track.

Note: In a Low Head Room installation, only the Top Rollers go into the Upper Horizontal Track. All other Rollers go into the Lower Horizontal Track.

Step 2: Starter Plate to Flag Bracket Attachment
Attach the end of the Starter Plate to the Flag Bracket with (1) 3/8"x3/4" Low Shoulder Carriage Bolt and (1) 3/8"-16 Hex Nut (Figure 1B).

Note: 3/8"-16 Hex Nuts always go on the outside of the assembly (away from the door).

Step 3: Track Hanger Installation
SEE PAGE 4 OF THE SUPPLEMENTAL INSTRUCTIONS FOR DETAILS.

Note: Repeat steps 1-3 for Right Side Horizontal Track to Flag Bracket Attachment.

Important: Track needs to be spaced 3/8" from the sections to prevent the sections from falling out of the track.

Step 4: Inspecting the Track Installation
Make sure track is level and square with the opening (Figure 1). Make sure that the distance between the track and the door is the same at the bottom of the vertical track, at the curve of the horizontal, and at the back of the horizontal track (approximately 3/8"). Adjustment to the track position may need to be made later, after the door is opened to maintain the proper spacing.

Step 5: Remove all Temporary Nails

Step 6: Pull Rope Installation
If an electric opener is not used, attach one end of the pull rope to the Safety Bottom Bracket and the other end to the second jamb bracket.

⚠ DANGER For Torsion Spring Installation go to page 7 of the Door Installation Instructions.

⚠ DANGER For Extension Spring Installation go to page 7 of these instructions.

After the springs are installed, proceed to page 6, Step 35 of the door Installation Instructions to finish the installation.

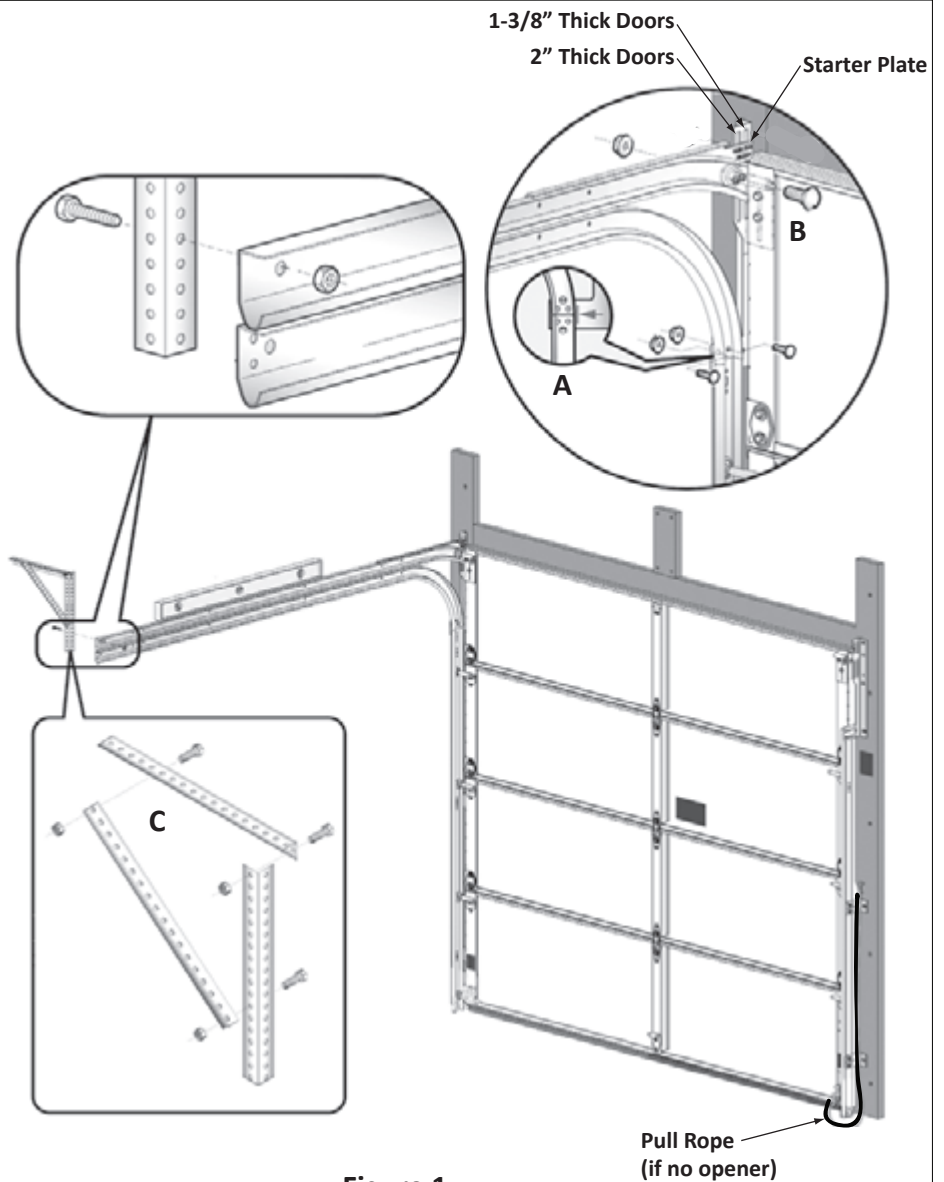
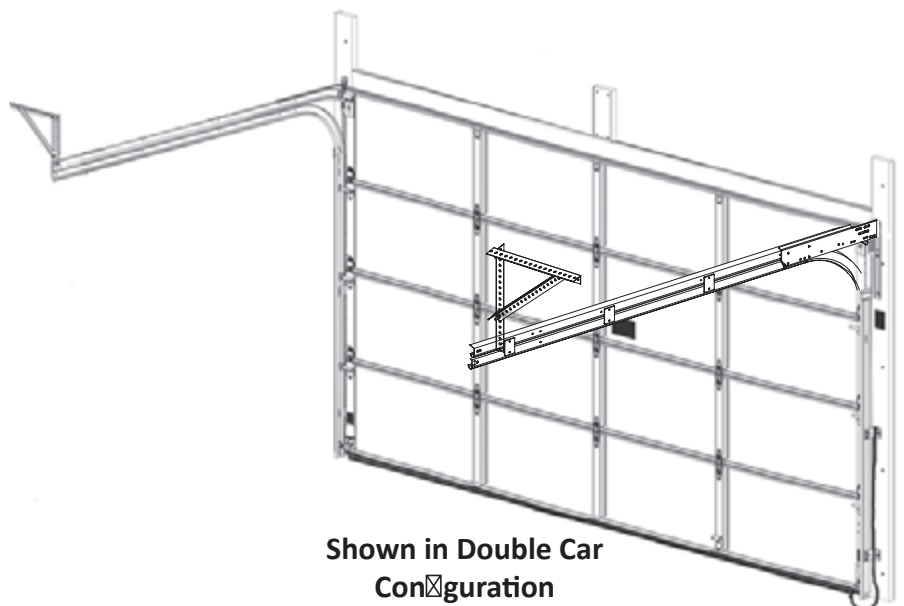


Figure 1



Shown in Double Car
Configuration

READ THE OWNERS MANUAL FOR OPERATION, WARRANTY, SAFETY, AND
MAINTENANCE INSTRUCTIONS.

⚠ DANGER

High spring tension can cause serious injury or death. Do not attempt to remove, repair, or adjust any springs, any RED colored fasteners, or the hardware to which the RED colored fasteners are attached. Removal, adjustment, or repair must be made by a trained garage door technician.

Low Head Room Rear (LHR) Mount Track Installation Instructions

Step 1: Attach the Low Head Room Bottom Bracket to the bottom of the section.

Install the Out Side Hook-Up (OHU) Bottom Bracket into holes #21, #22, & #18 as shown in Fig 1, using (3) 1/4"x5/8" RED Universal Fasteners. Repeat for the left side Bottom Bracket.

Step 2: Attach the Track Hangers as shown on Page 4 of the Supplemental Instructions (left & right). Do not fasten to end of track. Fasten next to the Junction Plate as shown in Fig 2 (right shown).

Step 3: Fasten the Right Side Flat End Bearing Plate as shown in Fig 3, using (2) 3/8"x1-1/2" Machine Bolts and (2) 3/8"-16 Hex Nuts as show (Fig 3). Repeat this step with the Left Side Flat End Bearing Plate.

Step 4: Install the Torsion Shaft with the Spring(s) and Nylon Bearing, through the Flat End Bearing Plates (Fig 4).

Step 5: Using the Torsion Shaft as a reference and keeping the shaft level, install an additional Track Hanger assembly to support the Center Bearing Plate (Fig 5).

Note: This Track Hanger and Center Bearing Plate must be centered in the middle of the Torsion Shaft.

⚠ WARNING This Track Hanger Assembly will not only support the Center Bearing Plate but will need to be strong enough to withstand the torque produced by the spring(s). Additional Lag Bolts into your structure are recommended.

Step 6: Attach the Center Bearing Plate to the center Track Hanger with (2) 3/8"x1-1/2" RED Machine Bolts and (2) 3/8"-16 RED Hex Nuts (Fig 5).

Note: Be sure the Torsion Shaft is level.

Step 7: Install the Left Side Spring and Nylon Bearing as shown in Figure 5. Attach the spring to the Center Bearing Plate with (2) 3/8"x1-1/2" RED Machine bolts and (2) 3/8"-16 RED Hex nuts.

Step 8: Install the Cable Drum (marked Red) onto the right side of the shaft as shown in Figure 6. Slide the Cable Drum (marked Black) on the left side of the shaft, outside of the track, as shown in the assembled drawing.

Step 9: Attach a pulley to the right side Low Head Room Starter Plate (Fig 7A) in a slot, between the upper horizontal and the lower horizontal track, with (1) 3/8"x1-1/2" RED Machine bolt and (1) 3/8"-16 RED Hex nut. Repeat for the left side Pulley.

Step 10: Attach a Sheave Support to the Starter Plate, over the Pulley (Fig 7B) in a slot and hole, between the upper and lower horizontal track, with (2) 1/4-20x1 Machine bolt and (2) 1/4-20 Hex Nuts. Repeat for the left side Sheave Support.

Step 11: Attach the looped end of the Lift Cable to the right side OHU Bottom Bracket (Fig 1 & 6). Loop the cable over the Pulley and run back to the Drum, inserting the cable stop into the slot in the Drum. Repeat for the left side Drum.

Step 12: Pull Rope Installation

If an electric opener is not used, attach one end of the pull rope to the Safety Bottom Bracket and the other end to the second jamb bracket.

⚠ DANGER For Torsion Spring Installation, go to page 7 of the Door Installation Instructions.

After the springs are installed, proceed to page 6, Step 35 of the Door Installation Instructions to finish the installation.

Assembled View

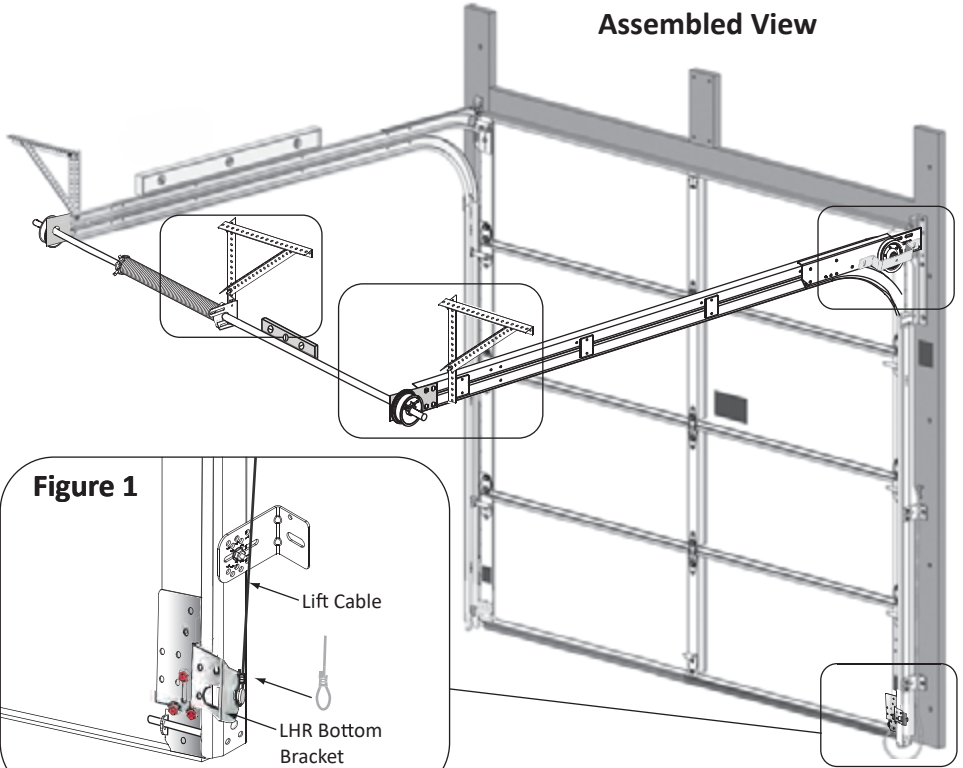
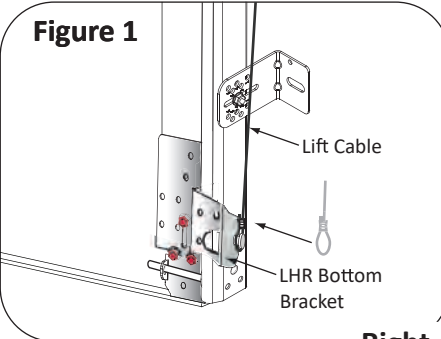


Figure 1



Right Side Shown

Figure 2

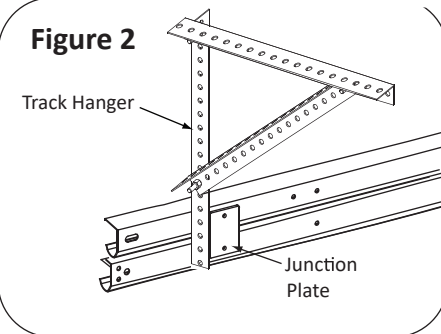


Figure 3

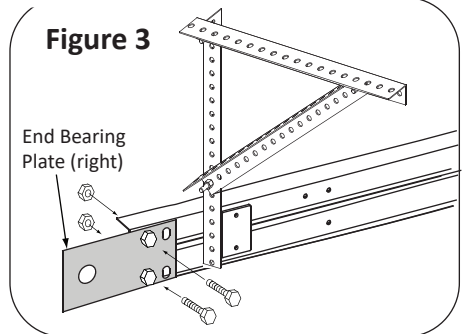


Figure 4

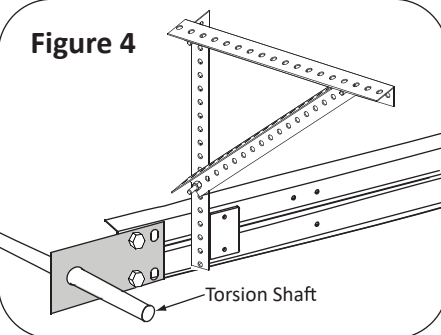


Figure 5

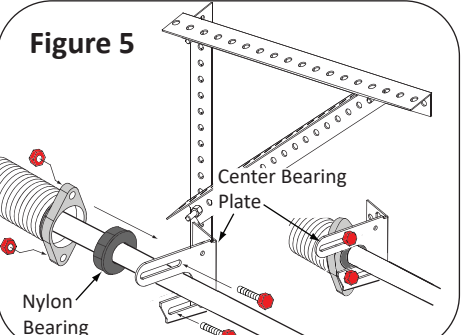


Figure 6

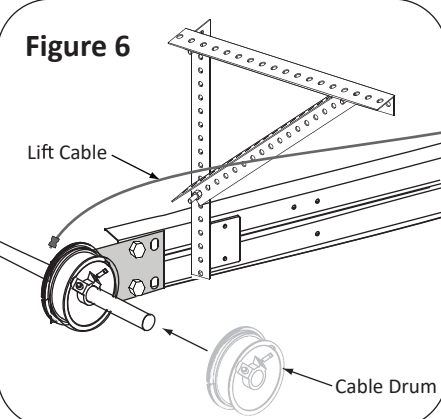
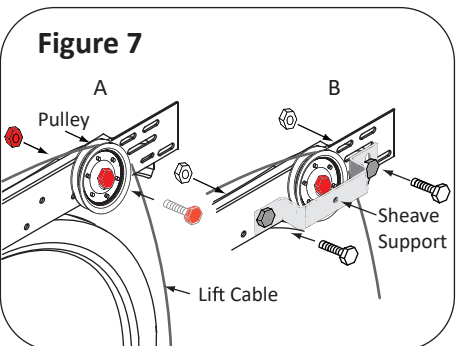


Figure 7



Track Hanger Installation Instructions

Note: Doors are not supplied with Track Hanger or fasteners. These items must be purchased separately.

Step 1: (Right Side shown) Keeping the horizontal track square, level, and parallel to each other, mark a spot on your ceiling directly above the end of the horizontal track (Fig 1). Note: If your ceiling is not finished in sheet rock, skip to step 3.

Step 2: Using a hammer, tap around your mark to find a ceiling joist/beam and mark the spot (Fig 2/3/4). Then, move to the right or left approximately 18"-24" and tap around to find a second ceiling joist/beam (Fig 2/3).

Step 3: Mark and cut a piece of hanger angle to span the distance between the ceiling joists/beams plus 4" (Fig 8/9).

Step 4: Securely fasten each end of the hanger angle to the ceiling joists/beams using (2) 5/16"x1-5/8" Lag Bolts (Fig 5/6). Note: Pre-drill the two 3/16" holes to prevent splitting of the wood.

Step 5: Measure the distance from the bottom of the Horizontal Track to the top of the Hanger Angle (Fig 7). Mark and cut a piece of Hanger Angle this distance (Fig 8/9).

Step 6: Mark and cut a short piece of Hanger Angle to form a 45° brace (Fig 8/9/10). Securely fasten the Hanger Angles using (3) 3/8"x1-1/2" Machine Bolts and (3) 3/8"-16 Hex Nuts as shown in Figure 10.

Step 7: (Standard Lift) Securely fasten the vertical Hanger Angle to the Horizontal Track using (1) 3/8"x1-1/2" Machine Bolt and (1) 3/8"-16 Hex Nut (Fig 11).

Step 7: (Low Head Room) Securely fasten the vertical Hanger Angle to the Upper Low Head Room Horizontal Track using (1) 3/8"x1-1/2" Machine Bolt and (1) 3/8"-16 Machine Bolt (Fig 12).

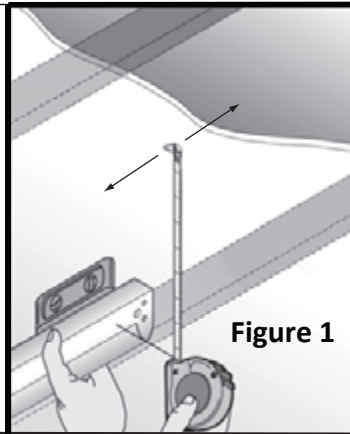


Figure 1

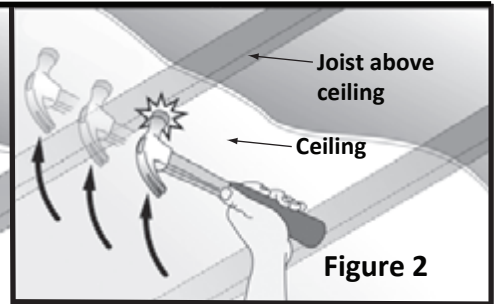


Figure 2

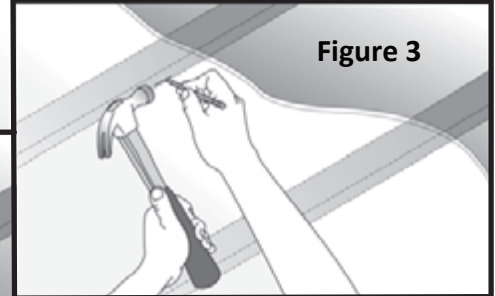


Figure 3

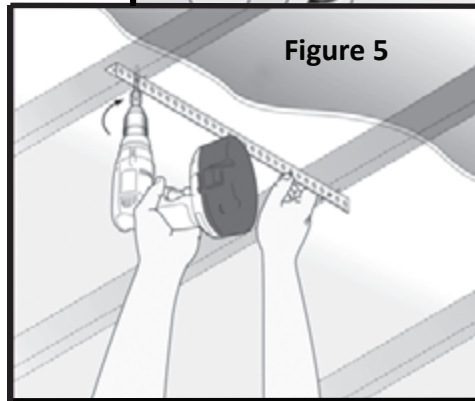


Figure 5

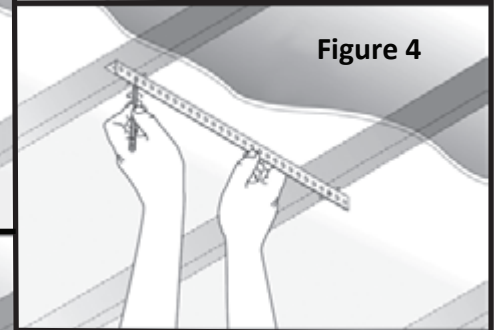


Figure 4

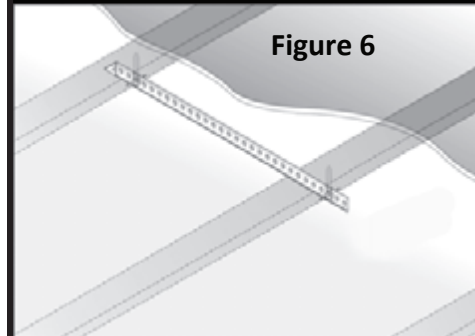


Figure 6

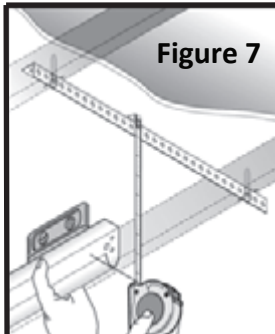


Figure 7

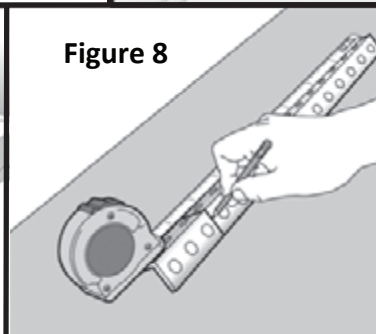


Figure 8

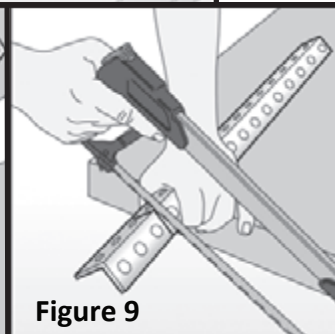


Figure 9

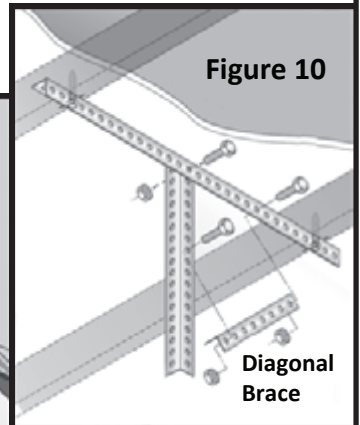


Figure 10

Diagonal Brace

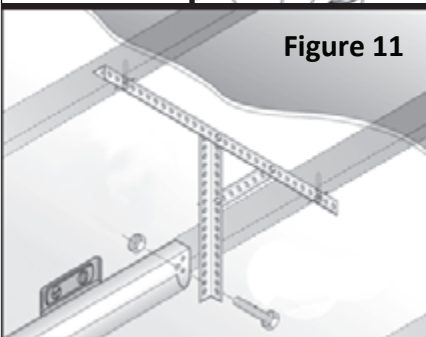


Figure 11

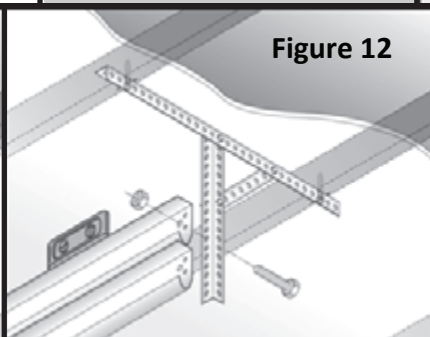
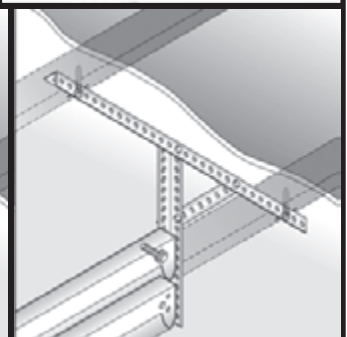
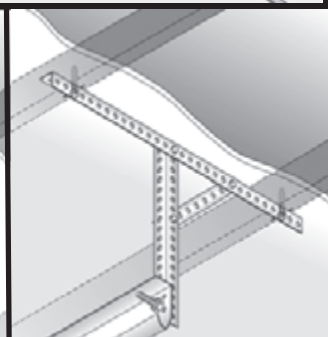


Figure 12



Finished Standard Assembly

Finished Low Head Room Assembly

Extension Spring
Installation Instructions

Step 1: Bolt the Stationary Pulley (right side) to the inside of the Horizontal Angle, through the 3rd open hole out from the jamb, using (1) 3/8"x1-1/2" machine bolt and 3/8"-16 RED nut (Fig 1). Be sure the Pulley turns freely.

WARNING Doors vary widely in weight. Do not attempt the next step without assistance.

Step 2: Remove any nails remaining in the jamb. Then, two people should carefully raise the door half-way to check spacing of the Horizontal Track (door should be spaced approximately 3/8" from track).

When it is determined that the track spacing is correct, raise the door to the fully opened position. Clamp the door open using (2) Lock Grip pliers as shown (Fig 2).

Step 3: Attach the Eye Bolt to the right side diagonal Hanger Angle using (2) 5/16" RED nut (Fig 3). One Red nut goes to the inside and one to the outside to lock the Eye Bolt in place. If your door comes with (4) Extension Springs, you will need (2) Eye Bolts and (4) nuts.

Step 4: Attach a Pulley and Sheave Fork to one end of the Extension Spring using (1) 3/8"x1-1/2" machine bolt and 3/8"-16 RED nut (Fig 4). If your door comes with (4) Extension Springs, refer to Figure 4 (Two Springs)

Step 5: Attach the other end of the Extension Spring(s) to the right side Eye bolt (Fig 5).

Step 6: Your door will be supplied with (4 or 6) cables. The longer cables are the Lifting Cables and the shorter cables are the Safety Retention Cables. Install one of the Safety Retention (shorter) Cables as shown in Figure 6 (right side). For two springs, install two Safety Retention Cables.

NOTE: Be sure to loop the cable around the Hanger Angle and then run the cable through the spring.

Step 7: Attach the looped end of the Lifting (longer) Cable to the Cable Button on the right side Bottom Fixture (Fig 7). Then bring the cable up and over the right side Stationary Pulley as shown in Figure 7.

Step 8: Attach the "S" Hook to the right side Horizontal Angle (Fig 8) in a hole approximately 9"-12" back from the header.

Step 9: Run the Lifting Cable back to the Pulley attached to the spring and loop the cable over the top, going through the Sheave (Fig 9).

Step 10: Attach the Cable Adjustment Clip to the loose end of the Lifting Cable (Fig 10).

Step 11: Attach the Cable Adjustment Clip to the "S" Hook (Fig 11). Be sure to pull out all of the slack in the cable at the Cable Adjustment Clip so the Extension Spring hangs near horizontally (Fig 13). Loop any additional cable to keep it out of the way (Fig 12)

Step 12: Tie the remaining Safety Retention Cable(s) through a hole in the Horizontal Angle between the "S" hook and the jamb (Fig 12). Loop any additional cable to keep it out of the way (Fig 12).

REPEAT STEPS 1- 12 FOR THE LEFT SIDE.

WARNING DO NOT STAND UNDER DOOR.

Step 13: Carefully remove the Lock Pliers from the track. Close the door halfway. If the door wants to go down, shorten the length of both Lift Cables at the Cable Adjustment Clip. Lengthen these cables if the door wants to rise.

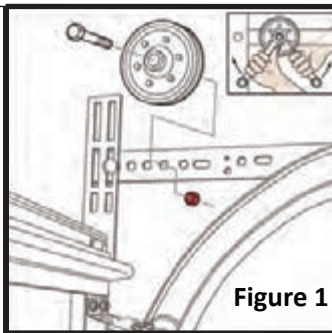


Figure 1

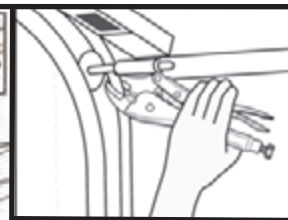


Figure 2

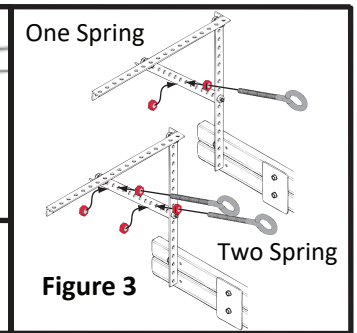


Figure 3

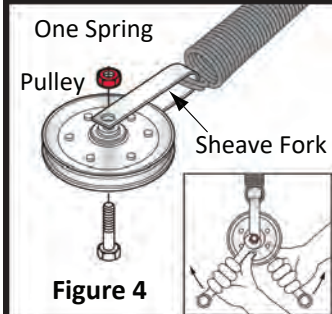


Figure 4

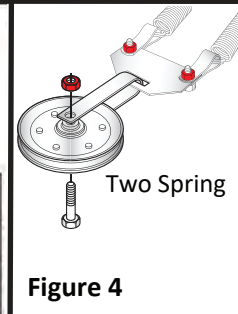


Figure 4

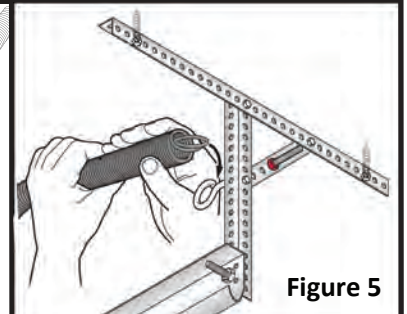


Figure 5

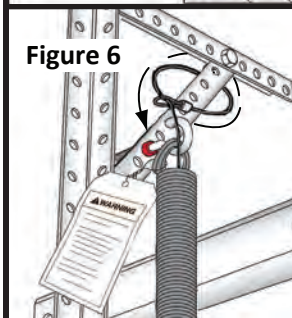


Figure 6

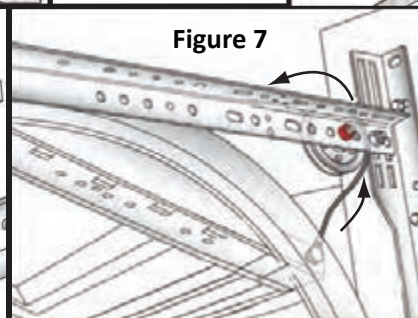


Figure 7

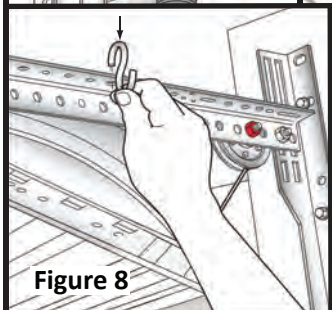


Figure 8

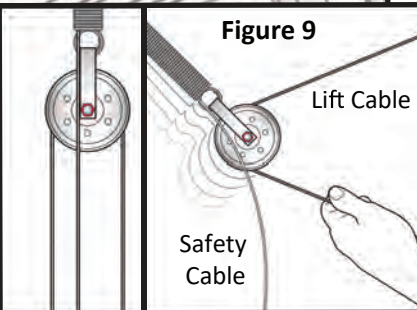


Figure 9

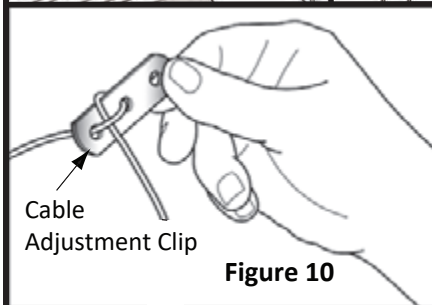


Figure 10

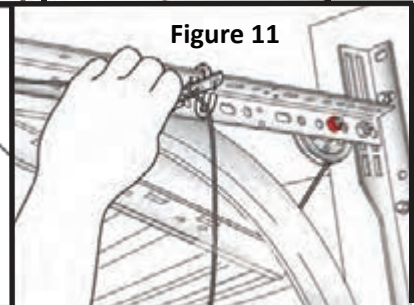


Figure 11

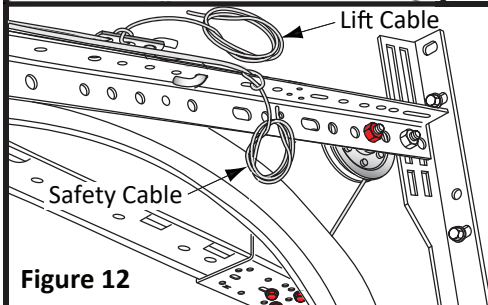


Figure 12

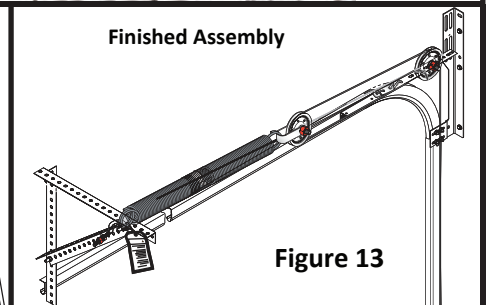


Figure 13

Low Head Room (LHR) Extension Spring
Installation Instructions

Step 1: Attach the Low Head Room Bottom Bracket to the bottom of the section.
Install the Out Side Hook-Up (OHU) Bottom Bracket into holes #21, #22, & #18 as shown in Fig 1, using (3) 1/4"x5/8" RED Universal Fasteners. Repeat for the left side Bottom Bracket.

Step 2: Bolt the Stationary Pulley (right side) to the slot in the LHR Starter Plate (Fig 3) between the upper and lower track, using (1) 3/8"x1-1/2" machine bolt and (1) 3/8"-16 RED nut. Be sure the Pulley turns freely.

WARNING Doors vary widely in weight. Do not attempt Steps 3 & 4 without assistance.

Step 3: Remove any nails remaining in the jamb. Then, two people should carefully raise the door half-way to check spacing of the Horizontal Track (door should be spaced approximately 3/8" from track). When it is determined that the track spacing is correct, raise the door to the fully opened position. Clamp the door open using (2) Lock Grip pliers as shown (Fig 2).

Step 4: Attach the Eye Bolt to the right side diagonal Hanger Angle using (2) 5/16" RED nuts (Fig 7). One Red nut goes to the inside and one to the outside to lock the Eye Bolt in place. If your door comes with (4) Extension Springs, you will need two Eye Bolts and (4) nuts per side (Fig 7-8, Two Spring).

Step 5: Attach a Pulley and Sheave Fork to one end of the Extension Spring using (1) 3/8"x1-1/2" machine bolt and (1) 3/8"-16 RED nut (Fig 4, one spring). If your door comes with (4) Extension Springs refer to Fig 5-6, Two Spring.

Step 6: Attach the other end of the Extension Spring(s) to the right side Eye bolt (Fig 9).

Step 7: Your door will be supplied with (4 or 6) cables. The longer cables are the Lifting Cables and the shorter cables are the Safety Retention Cables. Install one of the Safety Retention (shorter) Cables as shown in Figure 10 (right side). For two springs, install two Safety Retention Cables.

NOTE: Be sure to loop the cable around the Hanger Angle and then run the cable through the spring.

Step 8: Attach the looped end of the Lifting (longer) Cable to the Cable Button on the right side Bottom Fixture (Fig 1). Then bring the cable up and over the right side Stationary Pulley as shown in Figure 3.

Step 9: Attach the "S" Hook to the right side LHR Starter Plate (Fig 14) in a slot approximately 4"-6" back from the header.

Step 10: Run the Lifting Cable back to the Pulley attached to the spring and loop the cable under the pulley, going through the Sheave (Fig 9).

Step 11: Attach the Cable Adjustment Clip to the loose end of the Lifting Cable (Fig 11).

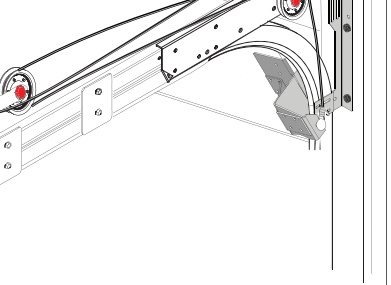
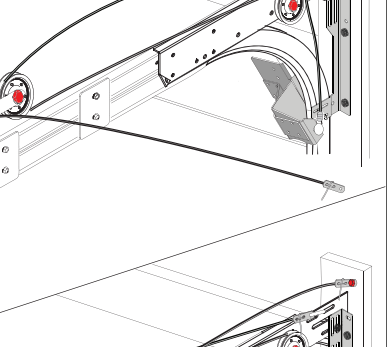
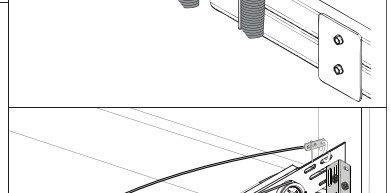
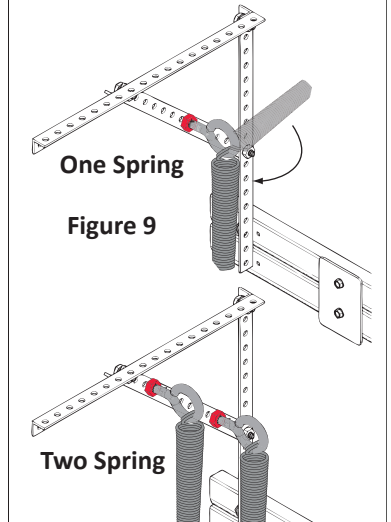
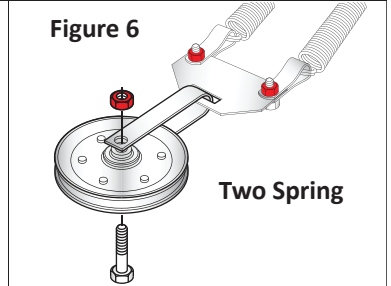
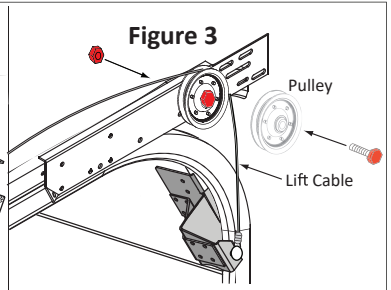
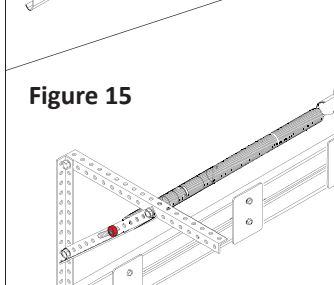
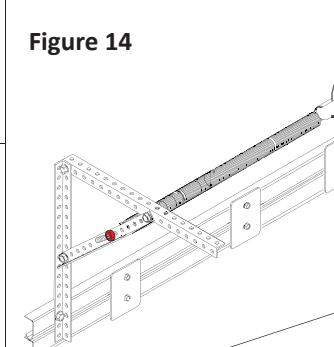
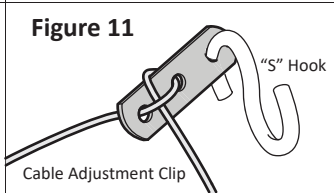
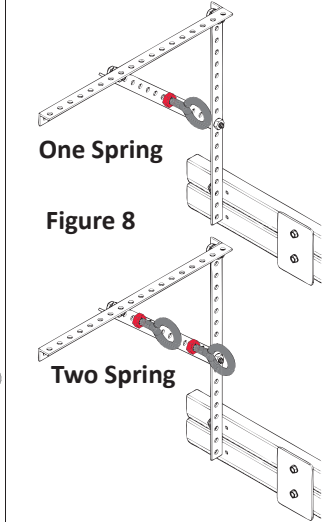
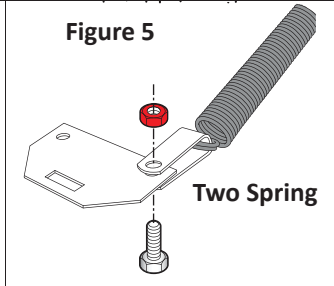
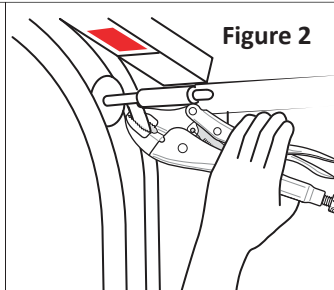
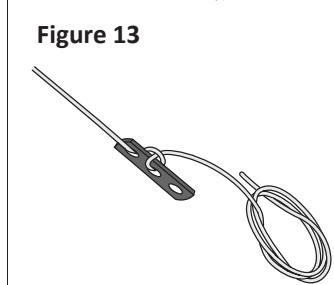
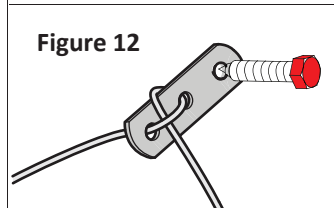
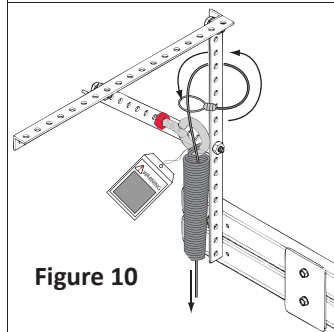
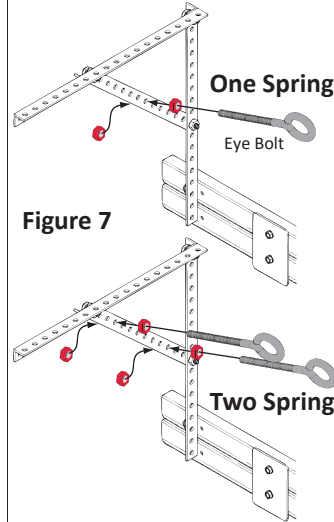
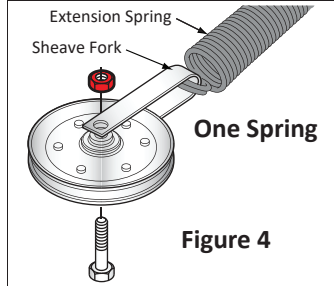
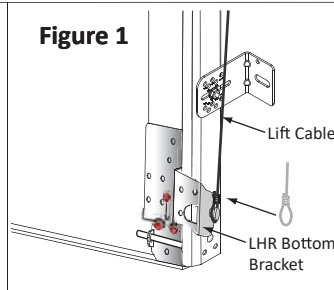
Step 12: Attach the Cable Adjustment Clip to the "S" Hook (Fig 11 & 14). Be sure to pull out all of the slack in the cable at the Cable Adjustment Clip so the Extension Spring hangs near horizontally (Fig 14 & 15). Loop any additional cable to keep it out of the way (Fig 13)

Step 13: Attach the Cable Adjustment Clip(s) to the Safety Retention Cable(s) (Fig 12). Fasten the clip(s) to the jamb using (1) 5/16"x1-5/8" Lag Bolt (Fig 12 & 13). Note: Pre-drill a 3/16" hole to prevent splitting of the wood.

REPEAT STEPS 1- 13 FOR THE LEFT SIDE.

WARNING Do not stand under the door.

Step 14: Carefully remove the Lock Pliers from the track. Close the door halfway. If the door wants to go down, shorten the length of both Lift Cables at the Cable Adjustment Clip. Lengthen these cables if the door wants to rise.



Garage Door Opener Bracket Installation (Triple Layer Doors Only)

Note: Triple layer doors require the Garage Door Opener Bracket shown to the right (Fig 1A). This bracket is not supplied with your door and must be purchased separately.

Note: Single and Double layer doors will not require these steps. Your Garage Door Opener will come with an easy to install bracket and instructions for installation.

Note: All doors that use an electric opener require a minimum of (1) strut mounted to the top section.

WARNING If your door did not come with a strut, adding one will change the weight of your door. Different springs may be required. Check with your vendor.

Note: Before you proceed with Step 22B of the Installation Instructions, attach the Garage Door Operator Bracket to the section as shown (Fig 1).

Step 1: Attach the strut to the top of the section following the instructions from Step 22B. Before inserting the (2) 1/4"x5/8" Universal Screws in to the middle of the strut, the screws will now go through both the strut and the Garage Door Opener Bracket (Fig 1 & 2). On the lower side of the strut, you will need to use a Strut Clip as shown in Figure 2A.

Step 2: Install your top section as shown in the Installation Instructions (page 5 / Step 25-27).

Note: The Opener Bracket will mount on top of the Center Hinge, with (2) 1/4"x5/8" Universal Screws through both (Fig 3).

Step 3: Attach the Opener Arm to the pin in Figure 2B.

For further information concerning installation of your Electric Garage Door Opener, consult the manufacturer's instructions.

